

(12) INTERNATIONAL APPLICATION PUBLISHED UNDER THE PATENT COOPERATION TREATY (PCT)

(19) World Intellectual Property Organization  
International Bureau



(43) International Publication Date  
13 June 2002 (13.06.2002)

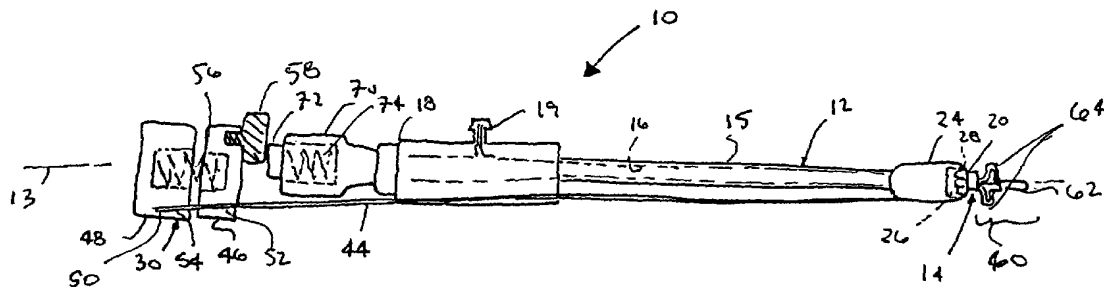
PCT

(10) International Publication Number  
**WO 02/45594 A2**

- (51) International Patent Classification<sup>7</sup>: **A61B 17/00**
- (21) International Application Number: PCT/US01/46916
- (22) International Filing Date:  
30 November 2001 (30.11.2001)
- (25) Filing Language: English
- (26) Publication Language: English
- (30) Priority Data:  
09/732,835 7 December 2000 (07.12.2000) US
- (71) Applicant: **INTEGRATED VASCULAR SYSTEMS, INC.** [US/US]; 3259 Kifer Road, Santa Clara, CA 95051 (US).
- (72) Inventors: **ROE, Steven, N.**; 21 Hillbarn Court, San Mateo, CA 94403 (US). **GINN, Richard, S.**; 297 Marti Way, San Jose, CA 95136 (US). **BELEF, W., Martin**; 1177 Britton Avenue, San Jose, CA 95125 (US).
- (74) Agents: **ENGLISH, William, A.** et al.; Lyon & Lyon LLP, 47th Floor, 633 West Fifth Street, Los Angeles, CA 90071-2066 (US).
- (81) Designated States (*national*): AE, AG, AL, AM, AT, AU, AZ, BA, BB, BG, BR, BY, BZ, CA, CH, CN, CO, CR, CU, CZ, DE, DK, DM, DZ, EC, EE, ES, FI, GB, GD, GE, GH, GM, HR, HU, ID, IL, IN, IS, JP, KE, KG, KP, KR, KZ, LC, LK, LR, LS, LT, LU, LV, MA, MD, MG, MK, MN, MW, MX, MZ, NO, NZ, PL, PT, RO, RU, SD, SE, SG, SI, SK, SL, TJ, TM, TR, TT, TZ, UA, UG, UZ, VN, YU, ZA, ZW.
- (84) Designated States (*regional*): European patent (AT, BE, CH, CY, DE, DK, ES, FI, FR, GB, GR, IE, IT, LU, MC, NL, PT, SE, TR).
- Published:**  
— without international search report and to be republished upon receipt of that report

For two-letter codes and other abbreviations, refer to the "Guidance Notes on Codes and Abbreviations" appearing at the beginning of each regular issue of the PCT Gazette.

(54) Title: APPARATUS AND METHODS FOR DELIVERING A CLOSURE DEVICE



(57) Abstract: An apparatus for delivering a closure element into a puncture communicating with a blood vessel includes an introducer sheath, and a locator member disposed within the sheath, the locator member having a distal portion extending distally beyond the distal end of the sheath. A plurality of splines are provided on the distal portion of the locator member, the splines being selectively expandable between an axial collapsed configuration and a transverse expanded configuration. An actuator is coupled to the locator member for controllably expanding the splines. A housing is slidably disposed on the sheath for deploying a closure element, such as a vascular clip. The locator actuator may automatically collapse the splines upon advancement of the housing. Alternatively, the distal portion includes a helically wound wire and a tether coupled to the wire that is movable for causing the wire to buckle instead of the splines.

WO 02/45594 A2

- 1 -

## APPARATUS AND METHODS FOR DELIVERING A CLOSURE DEVICE

## FIELD OF THE INVENTION

The present invention relates generally to apparatus and methods for closing and/or  
5 sealing openings into body lumens, and more particularly to apparatus and methods for  
delivering a vascular closure element for closing a puncture in a blood vessel formed  
during a diagnostic or therapeutic procedure.

## BACKGROUND

10 Catheterization and interventional procedures, such as angioplasty or stenting,  
generally are performed by inserting a hollow needle through a patient's skin and muscle  
tissue into the vascular system. A guide wire may then be passed through the needle  
lumen into the patient's blood vessel accessed by the needle. The needle may be removed,  
and an introducer sheath may be advanced over the guide wire into the vessel, e.g., in  
15 conjunction with or subsequent to a dilator. A catheter or other device may then be  
advanced through a lumen of the introducer sheath and over the guide wire into a position  
for performing a medical procedure. Thus, the introducer sheath may facilitate  
introduction of various devices into the vessel, while minimizing trauma to the vessel wall  
and/or minimizing blood loss during a procedure.

20 Upon completion of the procedure, the devices and introducer sheath may be  
removed, leaving a puncture site in the vessel wall. External pressure may be applied to  
the puncture site until clotting and wound sealing occur. This procedure, however, may be  
time consuming and expensive, requiring as much as an hour of a physician's or nurse's  
time. It is also uncomfortable for the patient, and requires that the patient remain  
25 immobilized in the operating room, catheter lab, or holding area. In addition, a risk of  
hematoma exists from bleeding before hemostasis occurs.

Various apparatus have been suggested for percutaneously sealing a vascular  
puncture by occluding the puncture site. For example, U.S. Patent Nos. 5,192,302 and  
5,222,974, issued to Kensey et al., describe the use of a biodegradable plug that may be  
30 delivered through an introducer sheath into a puncture site. When deployed, the plug may

seal the vessel and provide hemostasis. Such devices, however, may be difficult to position properly with respect to the vessel, which may be particularly significant since it is generally undesirable to expose the plug material, e.g., collagen, within the bloodstream, where it may float downstream and risk causing an embolism.

5 Another technique has been suggested that involves percutaneously suturing the puncture site, such as that disclosed in U.S. Patent No. 5,304,184, issued to Hathaway et al. Percutaneous suturing devices, however, may require significant skill by the user, and may be mechanically complex and expensive to manufacture.

10 Staples and surgical clips have also been suggested for closing wounds or other openings in tissue. For example, U.S. Patent Nos. 5,007,921 and 5,026,390, issued to Brown, disclose staples that may be used to close a wound or incision.

In addition, skin seals have been proposed that may be threaded into an opening in skin. For example, U.S. Patent No. 5,645,565, issued to Rudd et al., discloses a surgical plug that may be screwed into a puncture to seal the puncture. The surgical plug includes  
15 an enlarged cap and a threaded shaft that extends from the cap. During an endoscopic procedure, the plug may be threaded into an opening through skin until the cap engages the surface of the skin. The plug is intended to seal the opening communicating with a body cavity to prevent insufflation fluid from leaking from the cavity. Such plugs, however, may only be used at the surface of the skin, and may not be introduced through  
20 tissue, for example, to seal an opening in the wall of a blood vessel or other subcutaneous region.

To facilitate positioning devices that are percutaneously inserted into a blood vessel, "bleed back" indicators have been suggested. For example, U.S. Patent No. 4,317,445, issued to Robinson, discloses a flashback chamber on a first end of a cannula  
25 that communicates with a port on a second end. The second end is percutaneously introduced into a patient until the port enters the vessel, whereupon blood, under normal blood pressure, may advance along the cannula and enter the flashback chamber, thereby providing a visual indication that the vessel has been entered. This reference, however, does not discuss vascular wound closure, but is merely directed to an introducer device. In  
30 contrast, U.S. Patent No. 5,676,974, issued to Kensey et al., discloses a bleed back lumen

- 3 -

intended to facilitate positioning of a biodegradable plug within a puncture site. This device, however, requires that an anchor of the plug be positioned within the vessel, and therefore, may increase the risk of over-advancement of the plug itself into the vessel.

Alternatively, U.S. Patent No. 5,674,231, issued to Green et al., discloses a  
5 deployable loop that may be advanced through a sheath into a vessel. The loop is intended to resiliently expand to engage the inner wall of the vessel, thereby facilitating holding the sheath in a desired location with respect to the vessel. The loop may also provide a support for facilitating the deployment and deflection of a surgical clip against the vessel wall. Such a device, however, may risk engagement between the loop and the surgical  
10 clip, thereby preventing the loop from being withdrawn from the vessel.

Accordingly, apparatus and methods for delivering a device for closing a vascular puncture site would be considered useful.

#### SUMMARY OF THE INVENTION

15 The present invention is directed to apparatus and methods for closing and/or sealing openings into body lumens, and more particularly to apparatus and methods for delivering a vascular closure element for closing a puncture in a blood vessel formed during a diagnostic or therapeutic procedure.

In accordance with one aspect of the present invention, an apparatus is provided for  
20 delivering a closure element into engagement with tissue adjacent an opening into a body lumen. The apparatus includes a sheath including a lumen extending between its proximal and distal ends, and a locator member disposed within the sheath, the locator member having a distal portion extending distally beyond the distal end of the sheath. One or more positioning elements are provided on the distal portion of the locator member, the  
25 positioning elements being selectively expandable between a substantially axial collapsed configuration and a substantially transverse expanded configuration. Preferably, the positioning elements are a plurality, e.g. two or more, equally spaced, substantially flexible splines or wings configured for expanding substantially transversely to a longitudinal axis of the sheath. Each spline may have a first fixed end and a second  
30 movable end, the second end being axially movable towards the first end to cause an

intermediate region of the spline to expand radially outward, thereby defining the radially expanded configuration. Alternatively, the splines may include a plurality of substantially rigid or semi-rigid elements that are hinged such that the splines may be expanded to the expanded configuration.

5 An actuator may be coupled to the locator member, the actuator configured for controllably expanding the positioning elements from the collapsed configuration to the expanded configuration. The actuator may include a control such that the positioning elements may be selectively expanded to one of a plurality of expanded sizes, e.g., to accommodate insertion into vessels of various sizes.

10 A housing may be axially slidably disposed on an exterior of the sheath, the housing configured for releasably holding a closure element, the housing being actuable for advancing the closure element distally to deploy the closure element. In a preferred embodiment, the locator actuator may be configured for automatically collapsing the positioning elements to the collapsed configuration upon advancement of the housing to  
15 prevent engagement between the closure element and the positioning elements. The housing may be substantially permanently but slidably disposed on the sheath. Alternatively, the housing may be provided separate from the sheath, e.g., with the closure element pre-loaded therein. The housing may be directed over the sheath, e.g., over the proximal end of the sheath, at any time before delivery of the closure element.

20 In accordance with another aspect of the present invention, a method is provided for delivering a closure element into a passage communicating with an opening in a wall of a body lumen. An introducer sheath is positioned through a patient's skin towards the body lumen via the passage, the sheath including a lumen extending between its proximal and distal ends. One or instruments may be introduced through the lumen of the sheath  
25 into the body lumen. A diagnostic or therapeutic procedure may be performed using the one or more instruments at a location accessed via the body lumen.

In a preferred embodiment, the body lumen is a blood vessel, such as a peripheral vessel, e.g., the femoral or carotid artery. The procedure may be any of a variety of endovascular procedures, such as angioplasty, atherectomy, stent delivery, delivery of a  
30 therapeutic agent, and tissue ablation.

- 5 -

Upon completion of the procedure, the devices may be removed from the sheath. A locator may be inserted along or through the sheath until a distal portion of the locator extends beyond the distal end of the sheath and into the body lumen. One or more positioning elements on the distal portion of the locator may be expanded from a collapsed configuration to an expanded configuration.

The sheath and locator may then be manipulated with respect to the body lumen until the positioning elements in their expanded configuration contact the wall of the body lumen, thereby providing a tactile indication of a location of the distal end of the sheath. A closure element may then be delivered via the sheath into the passage. The sheath and locator may be withdrawn from the body lumen and opening, leaving the closure element to substantially close the opening.

In a preferred embodiment, the closure device is delivered via a housing slidably attached to the sheath. The housing may be advanced distally, e.g., along an exterior of the sheath, the housing having the closure device detachably held thereto. In a preferred method, the positioning elements may automatically return to the collapsed configuration when the housing is advanced to its distal position, thereby avoiding engagement between the closure element and the positioning elements. Alternatively, the positioning elements may automatically collapse when an ejector is activated to deploy the closure element from the housing, e.g., after the housing has been advanced to its distal position.

In accordance with yet another aspect of the present invention, an apparatus is provided for positioning a closure device within a passage through tissue communicating with a body lumen. The apparatus includes an elongate member, e.g., an introducer sheath or other tubular member, including a proximal end, a distal end, and a lumen extending between the proximal and distal ends defining a longitudinal axis.

A closure element is associated with the elongate member for sealing the passage. In a preferred embodiment, the closure element is a plug member disposed on the distal end of the elongate member. The plug member may include a thread pattern on its outer surface, and may include a distal port communicating with a passage therethrough that, in turn, communicates with the lumen in the handle device. A sealing member may be provided in the passage for substantially sealing the passage from fluid flow therethrough.

- 6 -

The plug member is preferably releasably attached to the distal end of the elongate member, e.g., by one or more connectors on the distal end of the elongate member and/or on the plug member. Alternatively, the closure element may be a clip that is deployable from the elongate member, e.g., from a housing slidably disposed on the elongate member.

5 A locator member is provided that may be inserted through the lumen, the locator member having a distal portion that extends distally beyond the distal end of the elongate member when the locator member is fully inserted into the lumen. If the closure element is a plug member, the distal portion also extends beyond the plug member, e.g., through the passage therein.

10 The locator member includes an elongate deflectable element including a proximal end and a distal end, and a control element coupled to the distal end of the deflectable element. The control element is movable proximally for causing an intermediate portion of the deflectable element, e.g., the distal portion of the locator member, to buckle substantially transversely with respect to the longitudinal axis. In a preferred embodiment,  
15 the deflectable element is a helically wound wire and the control member is a tether extending along at least the intermediate portion of the helically wound wire. The tether may extend within the helically wound wire and/or along an outer surface of at least a portion of the helically wound wire. Preferably, the intermediate portion of the deflectable element has a cross-section in its buckled configuration that is larger than a cross-section  
20 of the lumen, thereby preventing the deflectable element from being withdrawn into the plug member and/or elongate member once activated.

In accordance with still another aspect of the present invention, a method is provided for sealing a passage communicating with a body lumen using an apparatus, such as that described above. The apparatus generally includes an elongate member including  
25 proximal and distal ends, and a closure element deployable from the distal end of the elongate member.

A locator member is coupled to the elongate member such that a distal portion of the locator member extends beyond the distal end of the tubular member. For example, if the elongate member is an introducer sheath or other tubular member including a lumen,  
30 the locator member may be inserted into the lumen. The distal end of the elongate

member is advanced through a patient's skin towards the body lumen via the passage until the distal portion of the locator member is located within the body lumen. For example, if the closure element is a plug member, the elongate member may be rotated to thread the plug member into the passage towards the body lumen.

5           A deflatable element on the distal portion of the locator member is buckled from an axial collapsed configuration to a transverse expanded configuration. The elongate member is manipulated such that the buckled distal portion engages or otherwise contacts a proximal wall of the body lumen, thereby providing a tactile indication of the location of the distal end of the elongate member relative to the body lumen.

10           The closure device is then deployed from the distal end of the elongate member within the passage. The elongate member and the locator member are then withdrawn from the passage, leaving the closure element to substantially seal the opening.

          Preferably, the deflatable element of the locator member includes a helically wound wire, and a tether or other control member coupled to a distal end of the helically wound wire. The tether may be subjected to tension, e.g., directed proximally, to buckle the helically wound wire substantially transversely, thereby defining the transverse configuration.

          In a preferred embodiment, the closure element is a plug member releasably coupled to the distal end of the elongate member and including an external thread pattern.

20           If the elongate member is a tubular member, the plug member may include a distal port communicating with the lumen in the tubular member, such that the locator member may be inserted into the tubular member until the distal portion extends through the distal port of the plug member. The distal portion is inserted into the passage until the plug member enters the passage, whereupon the plug member is threaded into the passage until the distal portion of the locator member enters the body lumen. The distal portion may be activated, as described above, and used to provide tactile feedback to position the plug member. For example, the plug member may be at least partially unthreaded before the plug member is deployed within the passage.

          In an alternative embodiment, the apparatus may be used in conjunction with an  
30           introducer sheath or other tubular member already in place within the passage, e.g., that is



used to access the body lumen during a procedure. The locator member may be inserted through the tubular member until the distal portion of the locator member is located within the body lumen. The deflectable element on the distal portion of the locator member may be buckled from an axial collapsed configuration to a transverse expanded configuration.

5 The locator member may be manipulated, e.g., pulled proximally, such that the buckled distal portion engages or otherwise contacts a proximal wall of the body lumen, thereby providing a tactile indication that the distal portion is disposed within the body lumen and/or limiting further proximal movement of the locator member.

A plug member, clip, or other closure device may then be advanced over the  
10 locator member into the passage. For example, the plug member, disposed on the distal end of an elongate member, may be threaded through the tissue along the passage over the locator member. Preferably, the locator member is inserted through the distal port of the plug member and/or through the lumen of the elongate member as the plug member is advanced. Once the plug member attains a desired location within the passage, the plug  
15 member may be released from the distal end of the elongate member within the passage. The distal portion of the locator member may be returned to its axial configuration, and the elongate member and the locator member may be withdrawn from the passage, leaving the plug member to substantially seal the opening.

To facilitate positioning of the plug member, the locator member may include one  
20 or more markers, e.g., disposed on a proximal portion, that may have a predetermined relation with the distal portion of the locator member. For example, the proximal portion of the locator member may include a marker band located a predetermined distance from the distal portion. The elongate member may include a window for observing the marker when the plug member reaches a predetermined location relative the distal portion, e.g., a  
25 predetermined distance proximal to the distal portion. Alternatively, the locator member and the elongate member may include cooperate tactile elements, e.g., tabs and pockets, that engage one another when the plug member reaches a predetermined location. The plug member may then be released at the predetermined location, and then the elongate member and locator member may be removed.

Other objects and features of the present invention will become apparent from consideration of the following description taken in conjunction with the accompanying drawings.

5

#### BRIEF DESCRIPTION OF THE DRAWINGS

FIG. 1 is a side view of an apparatus for delivering a closure element, including an introducer sheath, a locator, and an actuator assembly, in accordance with the present invention.

10 FIG. 2 is a side view of the apparatus of FIG. 1, with the locator disposed within the sheath, and a housing on the sheath advanced to a delivery position.

FIGS. 3A and 3B are perspective views of the distal end of the apparatus of FIGS. 1 and 2, showing positioning elements on the locator in collapsed and expanded configurations, respectively.

15 FIGS. 4A-4F are cross-sectional views of a blood vessel, showing a method for delivering a closure device into a passage communicating with the vessel.

FIG. 5 is a cross-sectional view of the blood vessel of FIG. 4D, showing the positioning elements engaging a wall of the vessel.

FIG. 6 is a perspective view of an alternate embodiment of a distal portion of the locator with the positioning elements disposed in their expanded configuration.

20 FIGS. 7A and 7B are side views of another embodiment of a distal portion of a locator with positioning elements disposed in collapsed and expanded configurations, respectively.

FIGS. 8A and 8B are side views of the locator of FIGS. 7A and 7B, including a control on the locator for adjusting the expansion of the positioning elements.

25 FIG. 9 is a cross-section view of a distal portion of an alternative embodiment of an apparatus for delivering a closure element, in accordance with the present invention.

FIG. 10 is a cross-sectional view of a distal portion of yet another alternative embodiment of an apparatus for delivering a closure element, in accordance with the present invention.

FIGS. 11A and 11B are side views of another preferred embodiment of a locator device, in accordance with the present invention.

FIG. 12A is an exploded perspective view of an apparatus for delivering a closure device, including the locator device of FIGS. 11A and 11B.

5 FIG. 12B is a perspective view of the apparatus of FIG. 12A after assembly, and with the locator device deployed.

FIGS. 13A-13D are cross-sectional side views, showing a method for delivering a plug member using the apparatus of FIGS. 12A and 12B.

10 FIG. 14 is a detail of FIG. FIG. 13C, showing activation of the locator member with a blood vessel.

FIGS. 15A-15D are cross-sectional side views, showing another method for delivering a plug member using the apparatus of FIGS. 12A and 12B.

#### DETAILED DESCRIPTION OF THE PREFERRED EMBODIMENTS

15 Turning now to the drawings, FIGS. 1-2 show a first preferred embodiment of an apparatus 10 for providing access into a blood vessel or other body lumen from an incision, puncture, or other passage (not shown in FIGS. 1 and 2), and/or for delivering a closure element, such as clip 26 (shown in phantom), for closing the passage. Generally, the apparatus 10 includes an introducer sheath 12, a housing 24 slidably disposed on the  
20 sheath 12, a locator member 14 insertable into the sheath 12, and an housing actuator assembly 30.

The sheath 12 includes a substantially flexible or semi-rigid tubular body 15 including a lumen 16 extending between its proximal and distal ends 18, 20. The distal end 20 has a size and shape to facilitate insertion into a blood vessel, e.g., having a tapered  
25 tip 22 for facilitating substantially atraumatic introduction through the passage and at least partially into the vessel. The lumen 16 has a size for accommodating insertion of one or more devices therethrough, such as a catheter, guidewire, and the like (not shown). The sheath 12 also preferably includes a seal (not shown), such as a hemostatic valve, within the lumen 16 at or near the proximal end 18 that provides a fluid-tight seal, yet

accommodates insertion of one or more devices, such as the locator 14, into the lumen 16 without fluid passing proximally from the sheath 12.

Optionally, the sheath 12 may include a side port 19 that communicates with the lumen 16, for example, to allow the infusion of fluids into the lumen 16, through the sheath 12. Alternatively, or in addition, the side port 19 may be used to provide a “bleed back” indicator, such as that disclosed in co-pending application Serial No. 09/680,837, filed October 6, 2000, entitled “Apparatus and Methods for Positioning a Vascular Sheath,” which is assigned to the assignee of the present invention. The disclosure of this application and any references cited therein are expressly incorporated herein.

A housing 24 is slidably disposed on an exterior of the sheath 12, the housing 24 configured for releasably holding the closure element 26. The housing 24 may include an ejector or other mechanism (not shown) for deploying the closure element 26 from the housing 24. In a preferred embodiment, the closure element 26 is an annular-shaped clip, including one or more barbs 28 for engaging the tissue around the puncture adjacent to the wall of the vessel. Preferably, the clip 26 is configured for drawing the tissue around the puncture at the wall of the vessel substantially closed and/or for enhancing hemostasis within the puncture. Exemplary embodiments of a housing and closure element for use with an apparatus in accordance with the present invention are disclosed in co-pending application Serial Nos. 09/478,179, 09/546,998, and 09/610,238, the disclosures of which are expressly incorporated herein by reference.

The housing 24 is actuatable from the proximal end 18 of the sheath 12 (FIG. 1), for example, by housing actuator assembly 30, for advancing the closure element 26 distally during deployment. The housing 24 may be substantially permanently but slidably disposed on the sheath 12. In this embodiment, the housing actuator assembly 30 may be substantially permanently attached to the proximal end 18 of the sheath 12. The housing 24 may be coupled to the housing actuator assembly 30 such that the housing 24 may be directed axially along the exterior of the sheath.

Alternatively, the housing 24 may be provided separate from the sheath 12 (not shown), e.g., with the closure element 26 pre-loaded therein. In this embodiment, the housing actuator assembly 30 may also be provided separate from the sheath 12, as shown,

- 12 -

either coupled to or separate from the housing 24. Any time before delivering the closure element 26, the housing 24 may be directed over the sheath 12, e.g., by inserting the proximal end 18 of the sheath 12. The housing actuator assembly 30 may be attached to the proximal end 18 of the sheath 12, e.g., by cooperating connectors (not shown). The housing 24 may be coupled to the housing actuator assembly 30, if not already attached, thereby preparing the housing 24 for use.

In a preferred embodiment shown in FIGS. 1 and 2, the housing actuator assembly 30 includes first and second actuator members 46, 48 that are generally movable with respect to one another. The first actuator member 46 may be connected to the proximal end 18 of the sheath 12, for example, by rods (not shown) such that the first member 46 is substantially fixed with respect to the sheath 12. A rod, cable, or other control wire 44 is coupled to and extends generally proximally from the housing 24. The control wire 44 may extend along an outer surface of the sheath 12, as shown, or alternatively may extend through a lumen (not shown) in the sheath 12 beyond the proximal end 18.

A loose end 50 of the control wire 46 may be coupled to the second actuator member 48. For example, the housing actuator assembly 30 may be advanced over the control wire 46 such that the loose end 50 passes through aperture 52 in the first member 46 and is received in a mating pocket 54 in the second member 48, as best seen in FIG. 2. The loose end 50 may be frictionally engaged within the pocket 54 or, alternatively, the loose end 50 and pocket 54 may include cooperating detents (not shown) for securing the control wire 44 to the second actuator member 48.

The second actuator member 48 may be movable with respect to the first actuator member 46 by one or more rods or rails (not shown) extending therebetween. Thus, the second actuator member 48 may be movable from a first or proximal position (not shown), located a first distance from the first actuator member 46, distally to a second or distal position (shown in FIG. 2), located a second closer distance from the first actuator member 46. When the housing actuator assembly 30 is attached to the sheath 12 with the control wire 44 coupled to the second actuator member 48, the housing 24 may be directed from a proximal position (e.g., shown in FIG. 1) to a distal or delivery position (e.g., shown in

FIG. 2) when the second actuator member 48 is moved from its proximal position to its distal position.

In a preferred embodiment, the second actuator member 48 is biased to its distal position, for example, by spring 56 or other biasing element. The second actuator member 48 may be locked in its proximal position, for example, by a locking mechanism (not shown), thereby retaining the housing 24 in its proximal position. When it is desired to advance the housing 24, a button, switch, or other activation member (not shown) may be deployed to release the locking mechanism, thereby automatically directing the second actuator member 48 towards the first actuator member 46, and thereby advancing the housing 24 to its distal position, as described further below. The closure element 26 may be automatically ejected from the housing 24 once it reaches the distal position or the closure element 26 may be subsequently ejected by a separate action. It will be appreciated by those skilled in the art that other housing actuator configurations may be provided for advancing the housing 24 with respect to the sheath 12, e.g., to deliver the closure element 26.

The housing actuator assembly 30 may also include an adjustment mechanism, such as threaded bolt or knob 58. For example, the knob 58 may be provided on the first actuator member 46 such that, as the knob 58 is rotated, the first actuator member 46 may be moved axially with respect to the sheath 12. Because the first actuator member 46 may be adjusted distally or proximally with respect to the sheath 12, the distal position of the second actuator member 48 consequently may be adjusted. This, in turn, may facilitate adjusting the distal position of the housing 24, e.g., to compensate for the thickness of a particular wall of a blood vessel when a closure element 26 is delivered to close a puncture in the wall.

Turning to FIGS. 1, 2, 3A, and 3B, the locator member 14 includes a flexible or semi-rigid tubular body or other elongate rail 32 having a proximal end 34 and a distal end 36. An actuator rod or other elongate member 38 is slidably disposed with respect to the rail 32, e.g., within a lumen 33 of tubular body 32. Preferably, the locator member 14 includes an annular ridge 40 or other detent on or near its proximal end 40 that may engage a complementary-shaped pocket 42 or other cooperating detent on the sheath 12.

- 14 -

Thus, the locator member 14 may be substantially secured axially with respect to the sheath 12.

As best seen in FIGS. 3A and 3B, a distal portion 60 of the locator member 14 includes a substantially rounded, soft, and/or flexible distal tip 62, possibly including a pigtail (not shown) that may facilitate atraumatic advancement of the distal portion 60 into a blood vessel or other body lumen. The locator member 14 preferably has a length relative to the sheath 12 such that the distal portion 60 extends beyond the distal end 20 of the sheath 12 when the locator member 14 is fully received therein, as shown in FIG. 2.

One or more, and preferably a plurality of, positioning elements 64 are provided on the distal portion 60 that may be selectively expandable between a substantially axial collapsed configuration (shown in FIG. 3A) and a substantially transverse expanded configuration (shown in FIG. 3B). Preferably, the positioning elements 64 are substantially flexible splines configured for expanding substantially transversely with respect to a longitudinal axis 13 of the apparatus 10. In one embodiment, shown in FIGS. 1 and 2, the locator member 14 includes a pair of splines 64 disposed generally opposite one another about the distal portion 60. Alternatively, as shown in FIG. 6, the locator member 14 may include four splines 64' that are substantially equally spaced about the distal portion 60. The locator member 14 may include more or fewer splines without deviating from the scope of the present invention.

Optionally, the splines 64 may include radiopaque markers (not shown) or may be at least partially formed from radiopaque material to facilitate observation of the splines 64 using fluoroscopy or other imaging systems. In addition, the housing 24 may include a radiopaque marker, e.g., at its distal end (not shown) and/or the closure element 26 may include a radiopaque marker or may be made from radiopaque material. This may facilitate monitoring the relative location of the closure element 26 to the splines 64, as described further below.

Returning to FIGS. 3A and 3B, each spline 64 preferably has a first fixed (e.g., proximal) end 64a and a second movable (e.g., distal) end 64b. The second end 64b may be axially movable towards the first end 64a to cause an intermediate region 64c of the spline 64 to expand transversely outward, thereby defining the substantially transverse

- 15 -

expanded configuration. In a preferred embodiment, actuator rod 38 extends through the distal portion 60 and is coupled to the second end 64b of the splines 64 and/or to distal tip 62 of the locator member 14. The rod 38 may be moved axially, e.g., proximally, with respect to the rail 32 to selectively expand the splines 64 between their collapsed configuration and their expanded configuration.

A locator actuator 70 may be coupled to the locator member 14, the locator actuator 70 configured for selectively expanding the splines 64 from their collapsed configuration to their expanded configuration. For example, the locator actuator 70 may include a switch 72 that may be depressed or rotated to retract or move the rod 38 proximally, thereby expanding or deploying the splines 64. The locator actuator 70 preferably includes a lock (not shown) for securing the rod 38 in a proximal position and thereby locking the splines 64 in their expanded configuration. The lock may be released, for example, by depressing the switch 72. The locator actuator 70 may include a spring 74 or other biasing mechanism for biasing the rod 38 distally, e.g., to return the splines 64 to their collapsed configuration when the lock is released. For example, as described further below, the lock may be released upon activation of the housing actuator assembly 30, e.g., when the second actuator member 48 moves towards its distal position.

Turning to FIGS. 4A-4F, the apparatus 10 may be used to provide access into a blood vessel or other body lumen 90. Preferably, the apparatus 10 may be used to deliver a closure device, such as clip 26, to close and/or seal an incision, puncture, or other passage 92 that extends from a patient's skin 94 through intervening tissue 96, and a wall 98 of the vessel 90.

As shown in FIG. 4A, the sheath 12, without the locator member 14 therein, may be inserted or otherwise positioned within the blood vessel 90, i.e., through the passage 92. The sheath 12 is preferably provided with the housing 24 in its proximal position, without the housing actuator assembly (not shown) attached. Alternatively, the housing actuator assembly may be provided attached to the sheath 12 as long as the lumen 16 may be accessed. In a further alternative, the sheath 12 may be provided without the housing 24 thereon. The sheath 12 may be advanced over a guide wire or other rail (not shown) previously positioned through the passage 92 into the blood vessel 90 using a conventional



- 16 -

procedure. Preferably, the blood vessel 90 is a peripheral vessel, such as a femoral or carotid artery, although other body lumens may be accessed using the sheath 12, as will be appreciated by those skilled in the art.

The passage 92, and consequently the sheath 12, may be oriented at a substantially acute angle "alpha" with respect to the vessel 90, thereby facilitating introduction of devices through the lumen 16 of the sheath 12 into the vessel 90 with minimal risk of damage to the vessel 90. One or more devices, such as a guide wire, a catheter, and the like (not shown), may be inserted through the sheath 12 and advanced to a desired location within the patient's body. For example, the devices may be used to perform a therapeutic or diagnostic procedure, such as angioplasty, atherectomy, stent implantation, and the like, within the patient's vasculature.

After the procedure is complete, the device(s) may be removed from the sheath 12, and the locator member 14 may be inserted through the hemostatic valve (not shown) into the lumen 16. If the housing 24 is not already provided on the sheath 12, the housing 24 and/or the housing actuator assembly (not shown) may be advanced over or otherwise attached to the proximal end of the sheath 12, preferably before the locator member 14 is inserted into the sheath 12.

As shown in FIG. 4B, when the locator member 14 is fully inserted within the sheath 12, the distal portion 60 extends beyond the distal end 20 of the sheath 12. In an alternative embodiment, the locator member 14 may be attached to an exterior surface (not shown) of the sheath 12, for example, along a track, e.g., cooperating slots, grooves, and the like (not shown) in the sheath 12 and locator member 14. The distal tip 62 preferably is substantially soft and/or flexible such that the distal portion 60 substantially atraumatically enters the vessel 90. In this fully inserted position, cooperating detents (not shown) may be engaged to substantially secure the locator member 14 axially with respect to the sheath 12. The housing actuator assembly (not shown) may be attached to the sheath 12, e.g., by attaching a control wire (not shown) from the housing 24 to the actuator assembly, as described above.

Alternatively, the sheath 12 may include a side port (not shown) at or near its distal end 20 and a bleed back lumen (also not shown) that extends from the side port to the

proximal end of the sheath 12. Before or after insertion of the locator member 14, the sheath 12 may be manipulated until “bleed back” (i.e., blood entering the side port and passing proximally through the lumen due to exposure of the side port to blood pressure within the vessel) indicates a desired position for the distal end 20 of the sheath 12. For example, the sheath 12 may be partially withdrawn from the vessel 90 before the locator member 14 is inserted into the sheath 12 to minimize contact between the vessel wall 98 and the distal portion 60 of the locator member 14 during insertion of the locator member 14 into the sheath 12.

As shown in FIG. 4C, the splines 64 may then be directed to their expanded configuration, for example, by activating a switch on the proximal end (not shown) of the locator member 14. The sheath 12 and locator member 14 may then be moved in conjunction with one another, and preferably are together partially withdrawn from the vessel 90, until the splines 64 contact the wall 98 of the vessel 90, as shown in FIG. 4D. Thus, the splines 64 may provide a tactile indication of the position of the sheath 12 with respect to the wall 98 of the vessel 90. In addition, the splines 64 may assist in “presenting” the wall 98 of the vessel 90, e.g., for receiving a closure element, such as clip 26.

Turning to FIG. 4E, with the sheath 12 properly positioned, the housing 24 may then be actuated, for example, to advance the housing 24 distally into the passage 92 to deliver the clip 26. Preferably, movement of the housing 24 with respect to the distal end 20 of the sheath 12 is limited, e.g., by the housing actuator assembly (not shown), as described above. Preferably, the housing 24 may only be advanced a fixed distance such that the clip 26 substantially engages the wall 98 of the blood vessel, e.g., until the barbs 28 penetrate but do not pass completely through the wall 98. Thus, with the splines 64 fixed with respect to the distal end 20 of the sheath 12 and the distal position of the housing 24 fixed, the clip 26 may be advanced a predetermined distance into the passage 92 that is ascertainable and predictable. This predetermined distance may facilitate proper deployment of the clip 26 with respect to the wall 98 of the vessel 90, e.g., to prevent advancement of the clip 26 too far, i.e., into the vessel 90.

- 18 -

Alternatively, or in addition, the splines 64 include radiopaque markers, such that fluoroscopy and the like may be used to monitor and position the distal portion 60 of the locator member 14. The housing 24 and/or closure element 26 may also include radiopaque markers such that a relative position of the closure element 26 with respect to the splines 64, and consequently to the wall 98 of the vessel 90, may be ascertained before the closure element 26 is deployed from the housing 24.

In a preferred method, the splines 64 automatically return to their collapsed configuration when the closure element 26 is deployed from the housing 24 or when the housing 24 reaches its distal position, as shown in FIG. 4F. For example, the housing actuator assembly (not shown) may contact the locator actuator (also not shown) when the housing actuator assembly is used to advance the housing 24 to its distal position, thereby releasing the locator actuator. This enhancement may avoid any risk of contact between the clip 26 and the splines 64, e.g., which otherwise may risk driving the barbs 28 of the clip 26 through the wall 98 of the vessel 90 and into the splines 64. Alternatively, or in addition, the distal portion 60 of the locator member 14 may be automatically retracted, e.g., into the sheath 12, when the closure element 26 is deployed or the housing 24 is advanced.

Once the clip 26 is successfully deployed within the passage 92, i.e., into the wall 98 of the vessel 90, the apparatus 10 may be withdrawn from the passage 92. If the splines 64 of the locator member 14 are not automatically collapsed during advancement of the housing 24, the splines 64 may first be affirmatively collapsed, e.g., by depressing the locator actuator (not shown). The entire apparatus 10 may then be removed in one step, or alternatively, the locator member 14 may first be withdrawn from the sheath 12 before withdrawing the sheath 12, thereby leaving the clip 26 in place to close and/or seal the passage 92.

Turning to FIGS. 7A and 7B, another embodiment of a distal portion 160 of a locator member 114 is shown that may be used to position a sheath (not shown) before delivering a closure element (also not shown), similar to the embodiment described above. The locator member 114 includes a flexible or semi-rigid tubular body 132 having a proximal end (not shown) and a distal end 136. An actuator wire or rod 138 is slidably

- 19 -

disposed with respect to the body 132, e.g., within a lumen 133 of body 132. The locator member 114 may include a detent (not shown) on or near its proximal end for securing the locator member 114 to a sheath (not shown).

5 The locator member 114 includes a distal portion 160 that terminates in a substantially rounded, soft, and/or flexible distal tip 162, possibly including a pigtail (not shown) that may facilitate atraumatic advancement of the distal portion 160 into a blood vessel or other body lumen. The locator member 114 preferably has a length relative to the sheath such that the distal portion 160 extends beyond a distal end of the sheath when the locator member 114 is fully received in the sheath, similar to the embodiment  
10 described above.

A plurality of splines 164 are provided on the distal portion 160 that may be selectively expandable between a substantially collapsed configuration (shown in FIG. 7A) and a substantially transverse expanded configuration (shown in FIG. 7B). Preferably, the splines 164 are substantially rigid or semi-rigid elements that include hinged regions 166,  
15 168 that facilitate expansion substantially transversely with respect to a longitudinal axis 113 of the locator member 114. In one embodiment, each spline 164 is a single piece that includes a plurality of living hinges 166, 168. Alternatively, each spline 164 may include multiple segments that are connected by pins or other hinges (not shown). In a preferred embodiment, the distal portion 160 includes four equally spaced splines 164, although the  
20 locator member 14 may include more or fewer splines without deviating from the scope of the present invention. Optionally, the splines 164 may include radiopaque markers (not shown), similar to the embodiment described above.

Each spline 164 preferably has a first fixed end 164a and a second movable end 164b. The second end 164b may be axially movable towards the first end 164a to cause an  
25 intermediate region 164c of the spline 64 to expand transversely outward, thereby defining the substantially transverse expanded configuration. In a preferred embodiment, the actuator rod 138 extends through the distal portion 160 and is coupled to the second end 164b of the splines 164 and/or to distal tip 162 of the locator member 114. The rod 138 may be moved axially with respect to the body 132 to selectively expand the splines 164  
30 between the collapsed and expanded configurations.

Turning to FIG. 8A, a locator actuator 170 may be coupled to the control rod 138 and a proximal end 134 of the locator member 114. The locator actuator 170 is configured for directing the control rod 138 axially to selectively expand the splines 164, similar to the embodiment described above.

5 In addition, the locator actuator 170 may allow the splines 164 to be expanded to one of a plurality of expanded configurations. For example, the locator actuator 170 may include an internal member (not shown), coupled to the control rod 138, that is slidable within an actuator body 176. A button 172 extending from the internal member is slidable in an axial slot 174 in the actuator body 176 for controlling movement of the control rod  
10 138. The button 172 may be moved, thereby moving the control rod 138 and consequently moving the splines 164. For example, as shown in FIG. 8A, the button 172 may be moved to a position (for example, indicated as "4") thereby expanding the splines 164 to an expanded diameter 165a. If desired, the button 172 may be moved to other available positions to reduce the expanded diameter, for example to the diameter 165b shown in  
15 FIG. 8B. This control of the expanded diameter of the splines 164 may be useful to allow the splines 164 to be deployed within body lumens of different sizes. Thus, the splines 164 may be expanded to a desired size corresponding to the size of the vessel into which the locator 114 is introduced, thereby minimizing the risk of damage to the vessel due to over expansion of the splines 164.

20 In an alternative embodiment, shown in FIG. 8B, the locator actuator 170' may include a rotatable dial that controls expansion of the splines 164, similar to the linear actuator 170 shown in FIG. 8A. In addition, the locator actuator 170, 170' may include demarcations indicating a size (not shown), e.g., a diameter of the expanded splines and/or the size of the body lumen corresponding to the size of the lumen into which the locator  
25 114 is to be introduced.

In a further alternative, shown in FIG. 9, a locator member 214 may be provided that includes splines 264 that may be selectively expanded to different angles. A locator actuator (not shown) may allow controlled expansion of the splines 264a, 264b to desired angles with respect to the longitudinal axis 213 of the locator member. For example, a  
30 cable or other control wire (not shown) may be extend from the locator actuator to each of

- 21 -

the splines 264a, 264b, e.g., through a lumen (not shown) in the locator body 232. Each cable may be directed axially to selectively expand or collapse the spline 264a, 264b connected to the respective cable.

For example, a spline 264b on the posterior side of the locator member 214 (away  
5 from the surface of the patient's skin) may be expanded towards the proximal end of the locator member 214 at an acute angle "alpha," i.e., corresponding substantially to the angle of the passage through the patient's skin to the vessel 90, e.g., about thirty or forty five degrees. In contrast, the spline 264a on the anterior side of the locator member 214 (i.e.  
10 towards the surface of the patient's skin) may be expanded away from the proximal end of the locator member 214 at an oblique angle of one hundred eighty degrees less "alpha." Thus, the splines 264 may be expanded to predetermined angles that facilitate better contact with the wall of the vessel, e.g., to better "present" the vessel wall during deployment of a closure element.

In yet another alternative embodiment, shown in FIG. 10, a locator member 314,  
15 such as those described above, may include a tubular sleeve 315 within which a body 332, including splines 364, may be axially directed. For example, a proximal end (not shown) of the sleeve 315 may be fixed to a proximal end (also not shown) of the body 332, e.g., to a locator actuator (not shown), such as those described above. At least a distal portion 317 of the sleeve 315 is formed from a substantially rigid, smooth walled tube, such as a  
20 hypotube, while the remainder of the sleeve 315 may be a portion of the same tube or may be formed from a substantially flexible or semi-rigid tubular member (not shown).

When the locator member 314 is fully inserted into an introducer sheath 12, such as those described above, the distal portion 317 of the sleeve 315 extends beyond a distal end  
25 of the sheath 12. The splines 364 may then be selectively deployed from within the sleeve 315, expanded to a substantially transverse expanded configuration, collapsed, and retracted back into the sleeve 315.

For example, the sheath 20 may be positioned through a puncture 92 into a vessel  
30 90, e.g., to perform a procedure within a patient's vasculature, as described above. The locator member 314 may then be inserted into the sheath 12 until the distal portion 317 extends beyond the distal end 20 of the sheath 12. The splines 364 may then be expanded,

- 22 -

and the sheath 12 and locator member 314 manipulated to a desired position, e.g., such that the splines 364 contact the wall 98 of the vessel 90, thereby providing a tactile indication of the position of the sheath 12.

A closure element, such as clip 26 may then be deployed, e.g., from a housing (not shown) slidably mounted on the sheath 12. Barbs or tines 28 on the clip 26 penetrate into the wall 98 of the vessel 90, e.g., to close the opening in the wall 98 of the vessel 90, as described above. If the barbs 28 penetrate completely through the wall 98 of the vessel 90, the sleeve 315 protects the splines 364 and/or the body 33 of the locator member 314. The barbs 28 may engage but not penetrate or otherwise catch on the distal portion 317 of the sleeve 315, because of its substantially rigid and/or smooth construction. Thus, the barbs 28 may not penetrate or otherwise catch on the splines 364 when the clip 26 is deployed. The splines 364 may be collapsed and retracted into the sleeve 315, either manually or automatically, similar to the embodiments described above. When the sheath 12 is withdrawn from the puncture 92, the barbs 28 may slide along the distal portion 317 of the sleeve 315 until the distal portion 317 is withdrawn from within the clip 26, whereupon the barbs 28 may move inwards to close and/or seal the opening in the wall 98 of the vessel 90.

In alternative embodiments, the apparatus and methods of the present invention may be used to locate an introducer sheath within a blood vessel and/or to deliver closure elements other than a clip. For example, the apparatus may be used to deliver a collagen plug and the like into the passage, or a sealing material (either alone, or in conjunction with a clip).

Turning to FIGS. 11A-12B, another preferred embodiment of an apparatus 410 is shown for sealing a passage through tissue communicating with a body lumen, such as a blood vessel, in accordance with the present invention. Generally, the apparatus 410 includes a plug member 412, an elongate shaft or handle device 414, and a locator member 416.

With particular reference to FIGS. 11A and 11B, the locator member 416 includes a helically wound wire 444 that includes proximal and distal ends 446, 448, defining a longitudinal axis 438 therebetween. The helically wound wire 444 may be formed from flexible material that is biased to assume an axial configuration, as shown in FIG. 11A, but

may be deflectable, e.g., by buckling, as explained further below. The helically wound wire 444 has a diameter such that the locator member 416 may be advanced through a lumen 440 of the handle device 414 (as shown in FIGS. 12A and 12B) and/or directly into a passage through tissue. Preferably, adjacent turns of the helically wound wire 444 are in close proximity to or substantially abut one another in a relaxed state free from external forces, yet may be slidable and/or bendable with respect to one another to facilitate buckling of the locator member 416. Alternatively, adjacent turns of the helically wound wire 444 may have spaces between them in the relaxed state.

In a further alternative, the helically wound wire 444 may extend only partially from the distal end 448 towards the proximal end 446 (not shown). In this alternative, the locator member 416 may include a substantially straight wire, tubular body, or other proximal portion (not shown) that may extend from the helically wound wire to the proximal end 446 of the locator member 416. The proximal portion may be relatively more rigid, e.g., resistant to buckling than the helically wound wire and/or may be supported by the wall of the lumen 440 of the handle device 414.

The locator member 416 also includes a tether or other control element 450 that is coupled to the helically wound wire 444. Preferably, the tether 450 is an elongate wire, ribbon, cable, and the like that has a distal end 452 that is coupled to the distal end 448 of the helically wound wire 444. The tether 450 may include a handle 456 on its proximal end 458 for selectively pulling the tether 450 in a proximal direction to cause the helically wound wire 444 wire to buckle, as explained further below.

The tether 450 may extend along an outer surface of the helically wound wire 444 at least partially from the distal end 448 towards the proximal end 446, thereby defining a deflectable distal portion 454. For example, the tether 450 may extend along the outer surface of the helically wound wire 444 along its entire length. Alternatively, the tether 450 may extend along the outer surface of the distal portion 454, and then may pass between turns of the helically wound wire 444, and extend within the helically wound wire 444 to the proximal end 446 of the locator member 416. In a further alternative, the tether 450 may extend its entire length within the helically wound wire 444. For example, if the helically wound wire 444 has gaps between adjacent turns, the helically wound wire 444



- 24 -

may be compressed when the tether 450 is pulled to cause the helically wound wire 444 to buckle.

An actuator (not shown) may be provided on the proximal end 446 of the locator member 416. The actuator may be coupled to the proximal end 458 of the tether 450 and  
5 to the helically wound wire 444 for providing controlled relative movement of the tether 450 and the helically wound wire 444, as will be appreciated by those skilled in the art.

When the proximal end of the tether 450 is in its distal-most position, the helically wound wire 444 may extend generally parallel to the longitudinal axis 438, thereby defining an axial or inactivated configuration, such as that shown in FIG. 11A. Even if the  
10 distal portion of the helically wound wire 448 becomes slightly curved, e.g., when inserted into a body lumen, the distal portion is still considered "generally parallel" to the longitudinal axis 438. When the tether 450 is directed proximally, e.g., by applying a proximal force on the proximal end 458 and/or handle 456, it may pull the distal end 448 of the helically wound wire 444 towards the proximal end 446, thereby causing the distal  
15 portion 454 of the helically wound wire 444 to buckle, thereby assuming a transverse or activated configuration, such as that shown in FIG. 11B.

Turning to FIGS. 12A and 12B, the plug member 412 is a body, preferably having a generally cylindrical shape, including a proximal end 420, a distal end 422, and an outer surface 430. The plug member 412 includes a lumen 424 that extends between a proximal opening 426 and a distal opening or port 428. The plug member 412 may be formed from  
20 biocompatible material, and preferably from bioabsorbable material, and/or may be substantially rigid or partially flexible.

The plug member 412 generally includes a helical thread pattern 418, including one or more helical threads, that extends at least partially between its proximal and distal  
25 ends 420, 422. The helical thread pattern 418 is preferably substantially rigid and may have a substantially square cross-section to facilitate sealing of a passage into which the plug member 412 is threaded.

A sealing member (not shown) may be provided within the lumen 424 for substantially sealing the lumen 424 from fluid flow therethrough. The sealing member is  
30 preferably formed from a material that expands when exposed to fluids, e.g., a gel foam,

- 25 -

and may be bioabsorbable, e.g., if the plug member 414 is. Before exposure to fluid, the sealing member may be substantially recessed from the lumen 424, thereby accommodating inserting devices therethrough. Upon exposure to fluid, e.g., blood, the sealing member may expand, e.g., due to hydration and the like, across the lumen 424 and/or otherwise substantially seal the lumen 424.

Alternatively, the sealing member may be a valve (not shown) or a coil of material that is biased to substantially seal the lumen 424 from fluid flow. For example, the sealing member may be biased to substantially seal the lumen 424, yet may be deflected to accommodate insertion of one or more devices therethrough. In a further alternative, the lumen 424 may have a relatively small cross-section, and the sealing member may be omitted.

Additional information regarding plug members appropriate for use with the present invention may be found in U.S. Patent Nos. 5,292,332 to Lee and 5,290,310 to Makower et al., the disclosures of which are expressly incorporated herein by reference.

Returning to FIGS. 12A and 12B, the handle device 414 has a proximal end 434, a distal end 436, and a lumen 440 that extends between the proximal and distal ends 434, 436, e.g., for accommodating insertion of the locator member 416 and/or other devices therethrough. A handle 442 may be provided on the proximal end 434 of the shaft 414 for facilitating manipulation of the apparatus 410, e.g., to facilitate rotation of the apparatus 410 into a passage, as described below. Preferably, the handle device 414 is a substantially rigid tubular member having a cross-section that is substantially smaller than a cross-section of the plug member 412, e.g., to minimize dilation of a passage into which the plug member 412 is inserted.

The plug member 412 and the distal end 436 of the handle device 414 generally include one or more connectors (not shown) for releasably securing the plug member 412 to the handle device 414, as described in application Serial No. 09/732,835, filed December 7, 2000, the disclosure of which is expressly incorporated herein by reference. Preferably, cooperating connectors (not shown) substantially couple the plug member 412 to the handle device 414 such that the plug member 412 cannot move independently of the handle device 414, e.g., such that the plug member 412 may be rotated only by rotating the

handle device 414. Preferably, the handle 442 includes an actuator (not shown) that may be activated to release the connectors securing the plug member 412 to the handle device 414.

When the locator member 416 is fully inserted into the handle device 414, the  
5 distal portion 454 of the locator member 416, is preferably disposed beyond the distal end 436 of the handle device 414, and, more preferably, beyond the distal end 422 of the plug member 412, as shown in FIG. 12B. The locator member 416 may be coupled to the handle device 414, e.g., by cooperating detents or other connectors on their respective proximal ends 446, 434. All of the distal portion 454 of the locator member 416 may be  
10 disposed beyond the distal end 422 of the plug member 412, or a portion of the distal portion 454 may extend into the lumen 424 of the plug member and/or the lumen 440 of the handle device 414.

Turning to FIGS. 13A-13D, during use, the apparatus 410 may be used to seal  
and/or close a passage through tissue 96, such as a puncture 92 communicating with a  
15 blood vessel 90 or other body lumen. Initially, the plug member 412 may be connected to or otherwise disposed on the handle device 414. The locator device 416 may be inserted into the handle device 414 until the distal portion 454 extends beyond the plug member 412, as shown in FIG. 12B (but with the distal portion 454 in its axial configuration as shown in FIGS. 13A and 13B).

20 The puncture 92 may be used to provide percutaneous access to the vessel 90. For example, the puncture 92 may facilitate performing an endovascular procedure within a patient's vasculature, such as angioplasty, stenting, atherectomy, and the like, or may otherwise provide access via the vessel 90 to a region within the patient's body. Upon completion of the procedure, any instruments, such as an introducer sheath (not shown),  
25 may be removed from the vessel 90 and puncture 92.

The apparatus 410 may then be introduced into the puncture 92, for example, by initially inserting the distal portion 454 of the locator member 416 into the puncture 92. The distal portion 454 may have a substantially atraumatic distal tip, e.g., tapered and/or relatively flexible, to facilitate advancement of the apparatus 410 into the puncture 92. As

- 27 -

the distal portion 454 of the locator member 416 is advanced into the puncture 92, the plug member 412 may be inserted into the puncture 92, as shown in FIG. 13A.

Because of the thread pattern 418, the handle device 414 may be rotated in a first direction to thread the plug member 412 into the puncture 92. Consequently, the outer surface 430 and/or the thread pattern 418 may engage tissue 96 surrounding the puncture 92, thereby substantially sealing the puncture 92 from fluid flow, such as blood flow, within the vessel 90. The apparatus 410 may be rotated in the first direction about its longitudinal axis 438 to thread the plug member 412 substantially atraumatically deeper into the puncture 92.

Turning to FIG. 13B, as the plug member 412 is advanced, the distal portion 454 of the locator device 416 eventually passes through the wall 98 of the vessel 90. This advancement may be monitored by providing one or more radiopaque markers (not shown) and the like on the handle device 414, the plug member 412, and/or the locator member 416, and using fluoroscopy while advancing the apparatus 410. Alternatively, depth markers (not shown) may be provided on the exterior of the handle device 414 for visual monitoring advancement. Tactile indication, e.g., resistance to further advancement, may also identify that the vessel 90 has been attained.

Once it is confirmed that the distal portion 454 is located within the lumen 90, the locator member 416 may be activated, e.g., by pulling the handle 456 proximally or activating an actuator (not shown) at the proximal end of the locator member 416. This causes the distal portion 454 to buckle to its transverse configuration, as shown in FIG. 13C. In the transverse configuration, the distal portion 454 has a cross-section such that the distal portion 454 may not be withdrawn into the plug member 412 and/or the puncture 92.

Rotation of the apparatus 410 may then be reversed, i.e., in a second direction opposite the first direction, to withdraw the plug member 412 a predetermined distance relative to the vessel 90. As the plug member 412 is withdrawn, the distal portion 454 of the locator member 416 may engage a wall 98 of the vessel 90, thereby creating resistance to further rotation. This may provide tactile feedback that the plug member 412 is

- 28 -

disposed at a desired location, e.g., within the puncture 92 in close proximity to the vessel 90, but not extended into the vessel 90.

The plug member 412 may then be released from the handle device 414. The locator member 416 may be deactivated, i.e., returned to its axial configuration, and then withdrawn from the plug member 412, either simultaneously with withdrawal of the handle device 414 or before withdrawal of the handle device 414. The sealing member (not shown) preferably substantially seals the lumen 424 (not shown, see FIGS. 12A and 12B) within the plug member 412 to prevent fluid within the vessel 90 from passing therethrough to leak from the puncture 92. Alternatively, leakage through the lumen 424 may be sufficiently insignificant, e.g., hemostasis may occur rapidly despite the presence of the lumen 424, and the sealing member may be eliminated.

Preferably, as explained above, the sealing member is a material that expands when exposed to fluid. For example, as the locator member 416 is withdrawn (either before or along with the handle device 414), fluid, e.g., blood, may flow proximally through the lumen 424 in the plug member 412, e.g., until it encounters the sealing member. Although a relatively small amount of fluid may pass beyond the sealing member, the sealing member may expand substantially due to the fluid contact until it substantially seals the lumen. Alternatively, the sealing member may be a valve that may open to accommodate the locator member 416, but may automatically close upon withdrawal of the locator member 416.

If the plug member 412 is bioabsorbable, it may remain within the puncture 92 as the tissue heals, thereby allowing the wall 98 of the vessel 90 and tissue 96 surrounding the passage 92 to at least partially heal before the plug member 12 is absorbed. Alternatively, the plug member 412 may be retrieved once the tissue between the plug member 12 and the vessel 90 has substantially healed.

In an alternative embodiment, a guidewire 102 may be used during the procedure. The apparatus 410 may be provided initially without the locator member 416, and the guidewire 102 may be backloaded through the plug member 412 and handle device 414. The guidewire 102 may be used to guide the plug member 412 as it is threaded through the puncture 92 until it at least partially enters the vessel 90. Once the vessel 90 has been

attained, the guidewire 102 may be withdrawn, and the locator member 416 may be inserted through the handle device 414 until the distal portion 454 extends beyond the plug member 412 into the vessel 90. The distal portion 454 may be activated, and then the procedure may proceed substantially as just described to deliver the plug member 412.

5           In a further alternative, the locator member 414 shown in FIGS. 11A and 11B may be used to position and/or deliver other closure elements. For example, the locator member 414 may be substituted for the locator member with expandable positioning elements shown and described above in connection with FIGS. 1-3B, e.g., to deliver a clip within a housing that is slidable along a sheath (not shown) through which the locator  
10           member 416 may be inserted. In yet another alternative, the locator member with expandable positioning elements shown and described above in connection with FIGS. 1-3B may be used in place of the locator member 416 to position and/or deliver the plug member 412, using methods similar to those described above.

          Turning to FIGS. 15A-15D, an apparatus 410 may be used in conjunction with an  
15           introducer sheath 402 or other tubular member already in place within the passage 92. For example, the introducer sheath 402 may be used to access the vessel 90 to perform a procedure within the patient's vasculature or elsewhere within the patient's body, as described above. The sheath 402 may be disposed such that a proximal end 404 is located outside the passage 92, and a distal end 406 is located within the vessel 90.

20           As shown in FIG. 15A, the locator member 416 may be inserted through the introducer sheath 402 until the distal portion 454 extends beyond the distal end 406 of the sheath 402 into the vessel 90. The distal portion 454 may be buckled from the axial configuration to the transverse configuration, as described above, and then the locator member 416 may be manipulated, e.g., pulled proximally, such that the buckled distal  
25           portion 454 engages or otherwise contacts a proximal wall 92 of the vessel 90. Thus, the locator member 416 may be secured from proximal movement relative to the vessel 90 and/or may provide tactile feedback of the location of the distal portion 416. The sheath 402 may be removed from the passage 92 either before or after buckling the distal portion 454 of the locator member 416.

- 30 -

The plug member 412 may then be advanced over the locator 416 member into the passage 92. For example, the plug member 412, disposed on the distal end 436 of an elongate member 414, may be threaded through the tissue 96 along the passage 92 such that threads 418 on the plug member 412 substantially engage the surrounding tissue 96.

5 The locator member 416 may pass through a passage 424 in the plug member 412 and/or through the lumen 440 of the elongate member 414. Once the plug member 412 reaches a desired location within the passage 92, the plug member 412 may be released from the distal end 436 of the elongate member 414.

To facilitate positioning of the plug member 412 relative to the vessel 90, the  
10 locator member 416 and/or the elongate member 414 may include one or more depth markers. For example, the locator member 416 may include a marker band 460 at a predetermined location relative to the distal portion 454. The elongate member 414 may include a window 462 or other opening at a predetermined location on its proximal end 434. When the marker band 460 on the locator member 416 appears in the window 462, it  
15 may provide a visual indication that the plug 412 is disposed at a predetermined position relative to the wall 98 of the vessel 90. Alternatively, the locator member 416 and the elongate member 414 may include other cooperating elements, e.g., cooperating tactile elements as described above, for identifying when the plug 412 is disposed at a  
predetermined location.

20 After the plug 412 is released from the elongate member 414, the distal portion 454 of the locator member 416 may be returned to its axial configuration, and the elongate member 414 and the locator member 416 may be withdrawn from the passage 92, leaving the plug member 412 to substantially seal the passage 92, similar to the embodiments described above.

25 While the invention is susceptible to various modifications, and alternative forms, specific examples thereof have been shown in the drawings and are herein described in detail. It should be understood, however, that the invention is not to be limited to the particular forms or methods disclosed, but to the contrary, the invention is to cover all modifications, equivalents and alternatives falling within the spirit and scope of the  
30 appended claims.

## WHAT IS CLAIMED IS:

1. An apparatus for positioning within a passage communicating with an opening into a body lumen, comprising:
  - an elongate member comprising proximal and distal ends;
  - 5 a closure element associated with the elongate member for closing the opening;
  - a locator member coupled to the elongate member, the locator member having a distal portion extending distally beyond the distal end of the elongate member; and
  - one or more positioning elements on the distal portion of the locator member, the positioning elements being selectively expandable between an axial collapsed
  - 10 configuration and a transverse expanded configuration.
  
2. The apparatus of claim 1, wherein the positioning elements comprise splines configured for expanding substantially transversely with respect to a longitudinal axis of the elongate member.
- 15
  
3. The apparatus of claim 2, wherein the one or more positioning elements comprise a plurality of substantially flexible splines.
  
4. The apparatus of claim 2, wherein the one or more positioning elements
- 20 comprise a pair of splines disposed opposite one another about the distal portion.
  
5. The apparatus of claim 2, wherein each spline has a first fixed end and a second movable end, the second end being axially movable towards the first end to cause an intermediate region of the spline to expand transversely outward, thereby defining the
- 25 substantially transverse expanded configuration.
  
6. The apparatus of claim 5, wherein the locator member comprises a control member having a distal end coupled to the second end of each spline, the control member being movable axially with respect to the elongate member to selectively expand the
- 30 splines between the collapsed configuration and the expanded configuration.



7. The apparatus of claim 1, further comprising an actuator coupled to the locator member, the actuator configured for selectively expanding the positioning elements from the collapsed configuration to the expanded configuration.

5

8. The apparatus of claim 7, wherein the actuator is configured for selectively expanding the positioning elements to one of a plurality of expanded diameters.

9. The apparatus of claim 7, wherein the actuator is configured for selectively expanding the positioning elements to a desired angle with respect to a longitudinal axis of the locator member.

10

10. The apparatus of claim 9, wherein opposing positioning elements may be expanded to complementary angles with respect to the longitudinal axis.

15

11. The apparatus of claim 1, further comprising a housing slidably disposed on an exterior of the elongate member, the housing configured for releasably holding the closure element, the housing being actuatable for advancing the closure element distally towards the distal end of the elongate member for deploying the closure element.

20

12. The apparatus of claim 11, wherein the closure element comprises a clip deliverable from the elongate member, the clip configured for engaging tissue adjacent the opening.

25

13. The apparatus of claim 11, further comprising an actuator coupled to the housing, the actuator configured for advancing the housing distally to deploy the closure element therefrom.

14. The apparatus of claim 13, wherein the actuator is further configured for automatically collapsing the positioning elements to the collapsed configuration upon advancement of the housing.

5 15. The apparatus of claim 13, further comprising a spring mechanism for biasing the housing distally upon activation of the actuator.

16. The apparatus of claim 1, wherein the elongate member comprises an introducer sheath including a lumen therethrough, and wherein the locator member is  
10 removably insertable into the lumen, the distal portion of the locator member having a size for insertion through the lumen when the positioning members are in the collapsed configuration.

17. The apparatus of claim 16, wherein the sheath and the locator member  
15 include cooperating detents for substantially securing the locator member axially with respect to the sheath when the locator member is fully inserted into the sheath.

18. The apparatus of claim 16, wherein the locator member comprises a  
20 substantially rigid sleeve extending beyond the distal end of the sheath, the positioning elements being deployable axially from within the sleeve.

19. An apparatus of claim 1, wherein:  
the elongate member comprises a lumen extending between the proximal and distal  
ends defining a longitudinal axis;  
25 the locator member extends through the lumen such that the distal portion of the locator member extends distally beyond the distal end of the elongate member; and  
the one or more positioning elements comprise an elongate deflectable element comprising a proximal end and a distal end, and a control element coupled to the distal end  
of the deflectable element, the control element being movable proximally for causing an  
30 intermediate portion of the deflectable element to buckle transversely with respect to the

- 34 -

longitudinal axis from the axial collapsed configuration towards the transverse expanded configuration.

20. The apparatus of claim 19, wherein the deflectable element comprises a  
5 helically wound wire extending between the proximal and distal ends of the deflectable  
element, and wherein the control member comprises a tether extending along an outer  
surface of at least the intermediate portion of the helically wound wire.

21. The apparatus of claim 20, wherein the intermediate portion of the  
10 deflectable element has a cross-section in its buckled configuration that is larger than a  
cross-section of the distal port.

22. The apparatus of claim 19, further comprising an actuator on a proximal  
15 end of the elongate member, the actuator coupled to the locator member, the actuator  
configured for moving the control element proximally for buckling the intermediate  
portion of the deflectable element.

23. The apparatus of claim 19, wherein the elongate member and the locator  
20 member comprise cooperating detents for substantially securing the locator member  
axially with respect to the elongate member when the locator member is fully inserted into  
the elongate member.

24. The apparatus of claim 19, further comprising a housing slidably disposed  
25 on an exterior of the elongate member, the housing configured for releasably holding the  
closure element, the housing being actuatable for advancing the closure element distally  
towards the distal end of the elongate member for deploying the closure element.

25. The apparatus of claim 19, wherein the closure element comprises a clip  
30 deliverable from the elongate member, the clip configured for engaging tissue adjacent the  
passage.

26. The apparatus of claim 19, wherein the closure element comprises a plug member disposed on the distal end of the elongate member, the plug member comprising a thread pattern on its outer surface.

5

27. The apparatus of claim 26, wherein the plug member is releasable from the elongate member.

28. The apparatus of claim 26, wherein the plug member comprises  
10 bioabsorbable material.

29. An apparatus for delivering a closure element into a passage communicating with an opening into a body lumen, comprising:

an elongate member comprising proximal and distal ends;

15 a housing slidably coupled to the elongate member, the housing configured for releasably holding a closure device;

a locator member coupled to the elongate member, the locator member having a distal portion extending distally beyond the distal end of the sheath when the locator member is fully inserted therein; and

20 one or more positioning elements on the distal portion of the locator member, the positioning elements being selectively expandable between a substantially axial collapsed configuration and a substantially transverse expanded configuration.

30. The apparatus of claim 29, wherein the elongate member and the locator member include cooperating detents for substantially securing the locator member axially with respect to the elongate member.

31. The apparatus of claim 29, further comprising an actuator coupled to the housing, the actuator configured for advancing the housing distally to deploy a closure  
30 element therefrom.

- 36 -

32. The apparatus of claim 31, wherein the actuator is further configured for automatically collapsing the positioning elements to the collapsed configuration upon advancement of the housing.

5

33. The apparatus of claim 31, further comprising a spring mechanism for biasing the housing distally upon activation of the actuator.

34. The apparatus of claim 29, wherein each positioning element comprises a spline having a first fixed end and a second movable end, the second end being axially movable towards the first end to cause an intermediate region of the spline to expand transversely outward, thereby defining the substantially transverse expanded configuration.

15 35. The apparatus of claim 29, further comprising an actuator coupled to the locator member, the actuator configured for selectively expanding the positioning elements from the collapsed configuration to the expanded configuration.

20 36. The apparatus of claim 35, wherein the actuator is configured for selectively expanding the positioning elements to one of a plurality of expanded diameters.

37. The apparatus of claim 29, wherein the elongate member comprises an introducer sheath, and wherein the locator member is insertable into a lumen of the sheath.

25 38. An apparatus for delivering a closure device, comprising:  
an annular housing comprising a cavity, the housing comprising a hole therethrough defining a longitudinal axis;  
a closure element disposed within the cavity;  
an actuator coupled to the housing, the actuator comprising a control wire for  
30 moving the housing along the longitudinal axis away from the actuator.

- 37 -

39. The apparatus of claim 38, wherein the actuator comprises a connector for attached the actuator to an elongate member.

5 40. An apparatus for delivering a closure device, comprising:  
an annular housing comprising a cavity, the housing comprising a hole  
therethrough defining a longitudinal axis;  
a closure element disposed within the cavity;  
an actuator coupled to the housing, the actuator comprising a control wire for  
10 moving the housing along the longitudinal axis away from the actuator.

41. The apparatus of claim 40, wherein the actuator comprises a connector for attached the actuator to an elongate member.

15 42. The apparatus of claim 41, further comprising an elongate member  
insertable into the hole in the housing, whereby the housing may slide along an exterior of  
the elongate member.

20 43. The apparatus of claim 42, wherein the elongate member comprises an  
introducer sheath.

44. The apparatus of claim 42, wherein the elongate member comprises a  
connector on one end for mating with the connector on the actuator.

25 45. The apparatus of claim 40, wherein the cavity is disposed within an end of  
the housing away from the actuator.

46. An apparatus for sealing a passage through tissue communicating with a  
body lumen, comprising:

- 38 -

an elongate member having a proximal end, a distal end, and a lumen extending between the proximal and distal ends defining a longitudinal axis;

5 a plug member disposed on the distal end of the elongate member, the plug member comprising a helical thread on its outer surface, the plug member comprising a distal port therein in communication with the lumen; and

a locator member extendable distally from the distal port, the locator member comprising an elongate deflectable element comprising a proximal end and a distal end, and a control element coupled to the distal end of the deflectable element, the control element being movable proximally for causing an intermediate portion of the deflectable  
10 element to buckle substantially transversely with respect to the longitudinal axis.

47. The apparatus of claim 46, wherein the deflectable element comprises a helically wound wire extending between the proximal and distal ends of the deflectable element, and wherein the control element comprises a tether extending along an outer  
15 surface of at least a portion of the helically wound wire.

48. The apparatus of claim 47, wherein the intermediate portion of the deflectable element has a cross-section in its buckled configuration that is larger than a cross-section of the distal port.

20

49. The apparatus of claim 46, wherein the plug member comprises a passage therein extending between the distal port and the lumen.

50. The apparatus of claim 49, further comprising a sealing member disposed  
25 in the passage for substantially sealing the passage from fluid flow therethrough.

51. The apparatus of claim 46, wherein the plug member is releasable from the elongate member.

- 39 -

52. The apparatus of claim 51, wherein the elongate member comprises an actuator for releasing the plug member from the distal end of the elongate member.

53. The apparatus of claim 51, further comprising one or more connectors on at least one of the distal end of the elongate member and the plug member for releasably securing the plug member to the distal end of the elongate member.

54. The apparatus of claim 51, wherein the plug member comprises bioabsorbable material.

55. The apparatus of claim 46, wherein the locator member and the elongate member comprise cooperating feedback elements for identifying when the locator member is inserted a predetermined through the elongate member.

56. An apparatus for delivering a closure element into a passage communicating with an opening into a body lumen, comprising:

an elongate member comprising proximal and distal ends;

a housing slidably coupled to the elongate member, the housing configured for releasably holding a closure device;

a locator member coupled to the elongate member, the locator member having a distal portion extending distally beyond the distal end of the elongate member, the distal portion comprising a helically wound wire comprising a proximal end, a distal end, and an intermediate portion therebetween, and a control element coupled to the distal end of the helically wound wire, the control element being movable axially for causing the intermediate portion of the helically wound wire to buckle substantially transversely with respect to the longitudinal axis.

57. The apparatus of claim 56, wherein the control element comprises a tether extending along an outer surface of at least the intermediate portion of the helically wound wire.



58. The apparatus of claim 56, wherein the elongate member and the locator member include cooperating detents for substantially securing the locator member axially with respect to the elongate member.

5

59. The apparatus of claim 56, further comprising an actuator coupled to the housing, the actuator configured for advancing the housing distally to deploy a closure element therefrom.

10

60. The apparatus of claim 56, further comprising a closure element located within the housing.

61. The apparatus of claim 60, wherein the closure element comprises a clip.

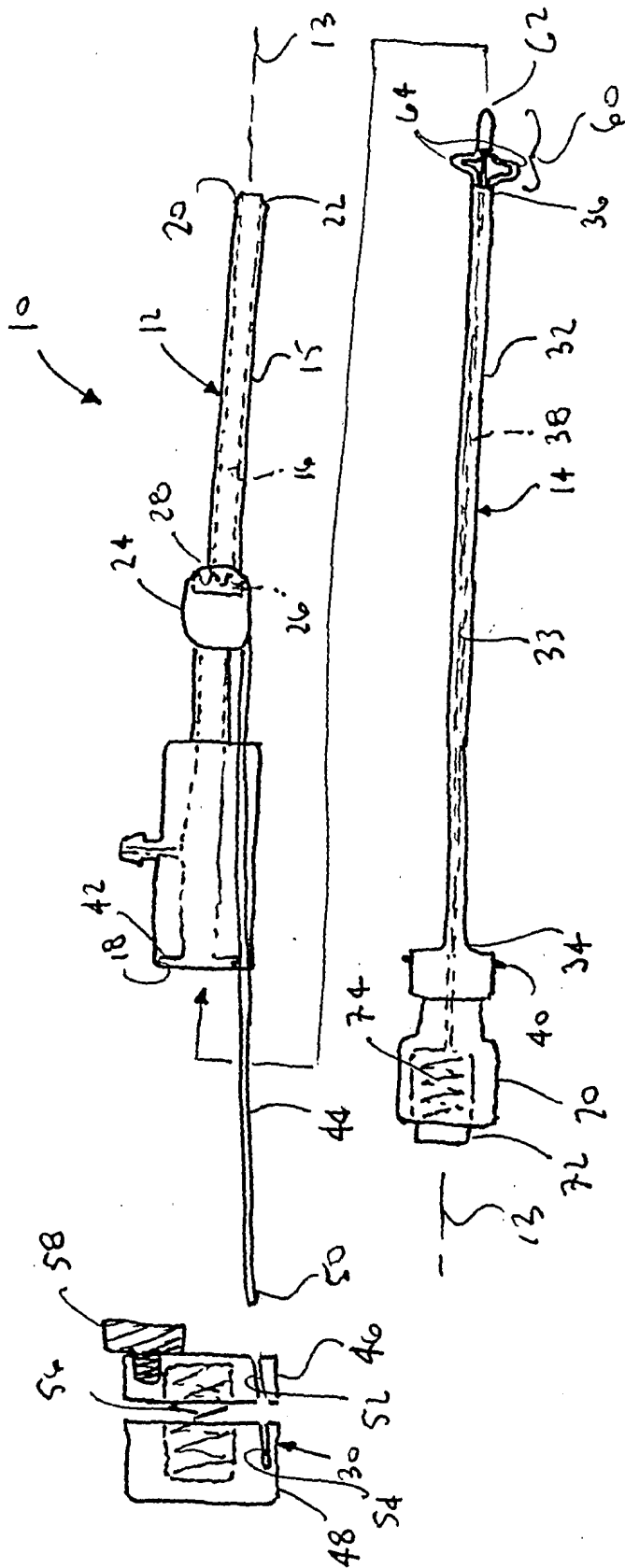
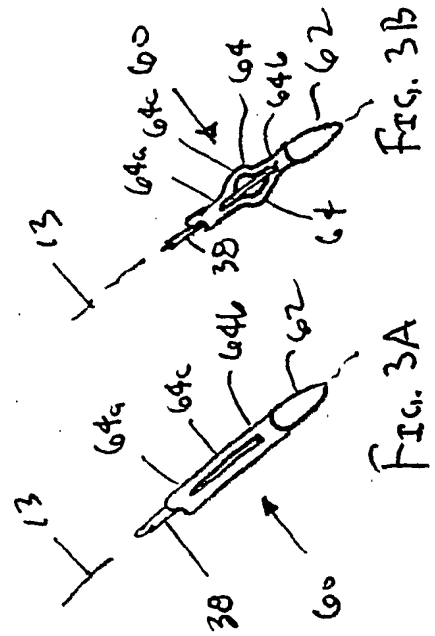
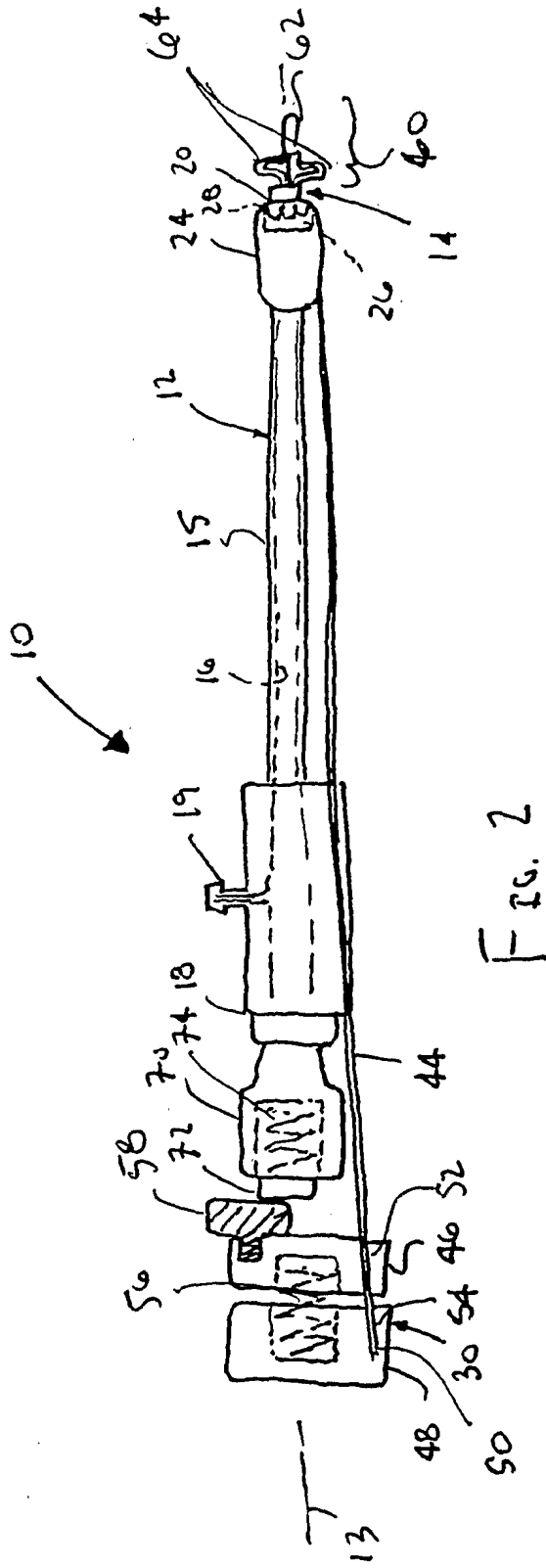
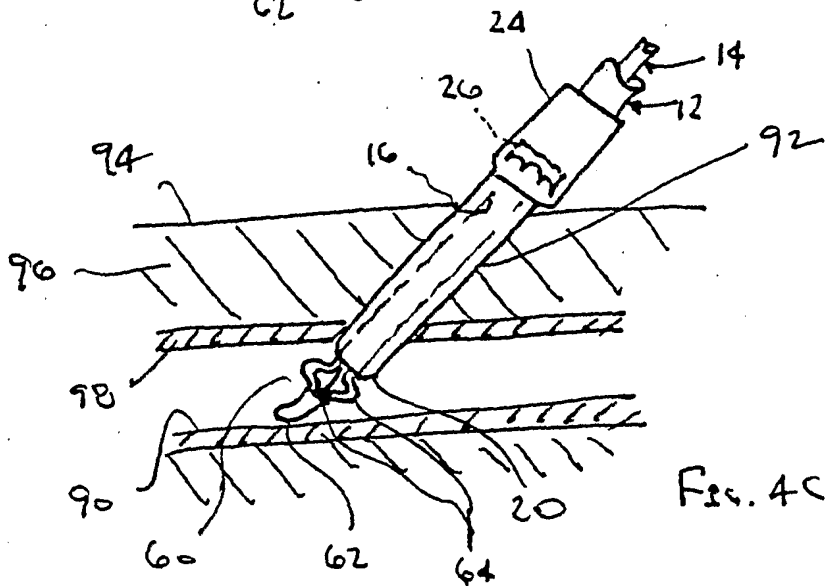
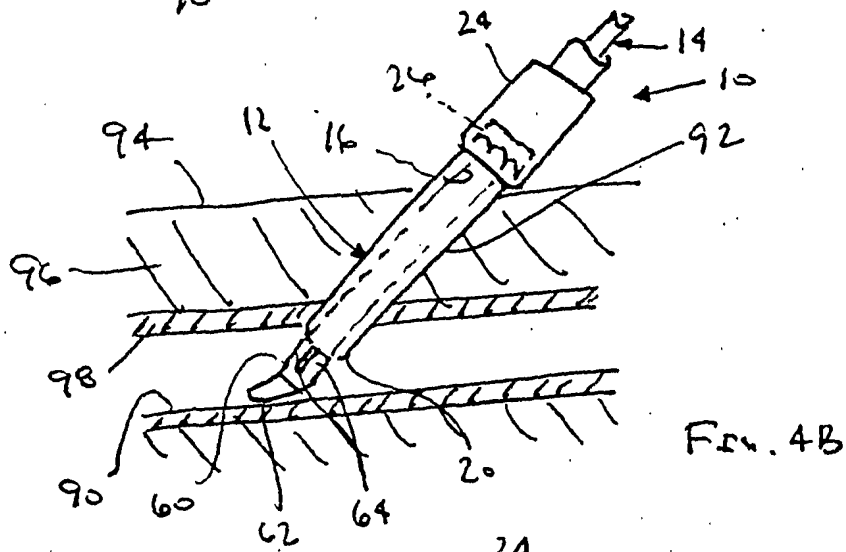
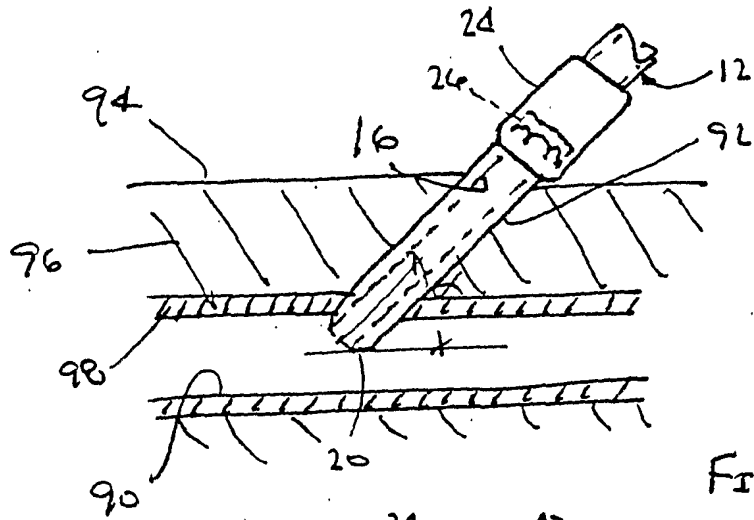
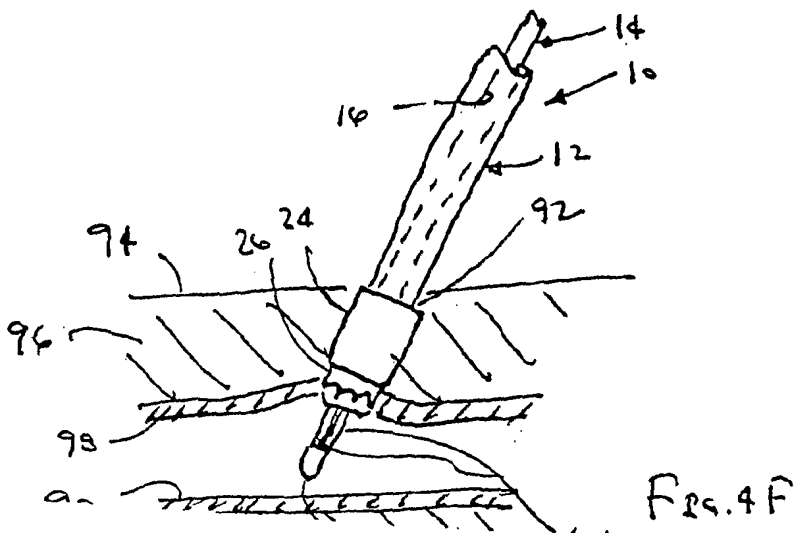
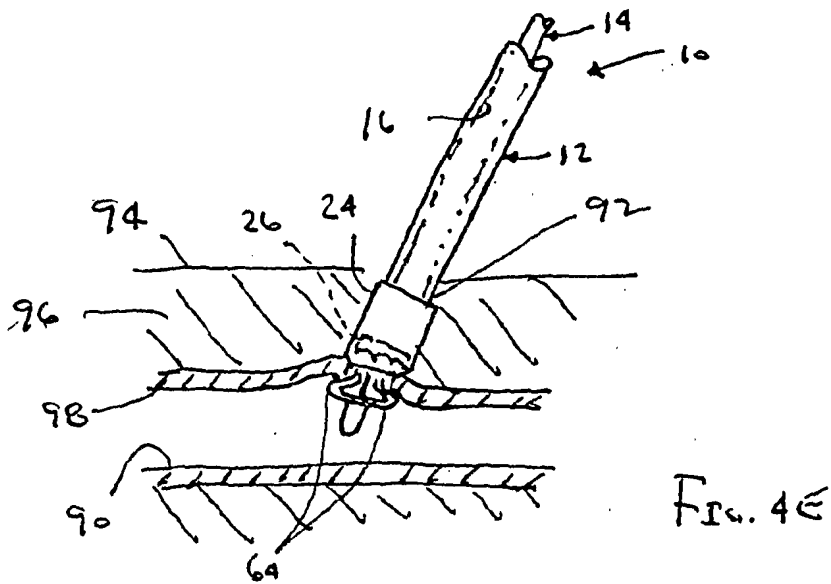
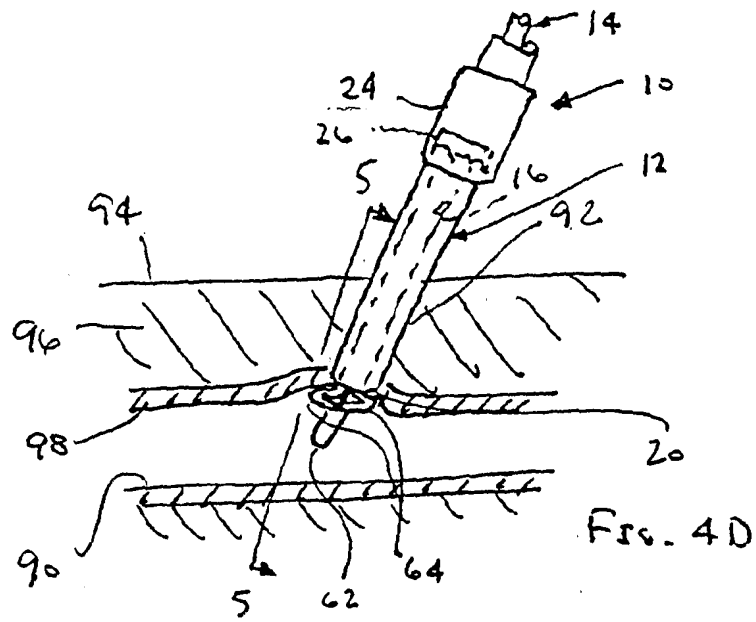
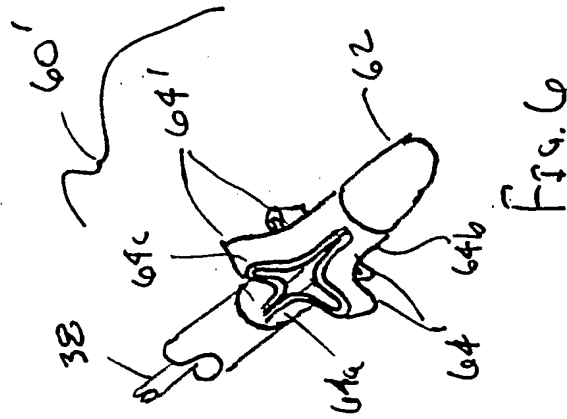
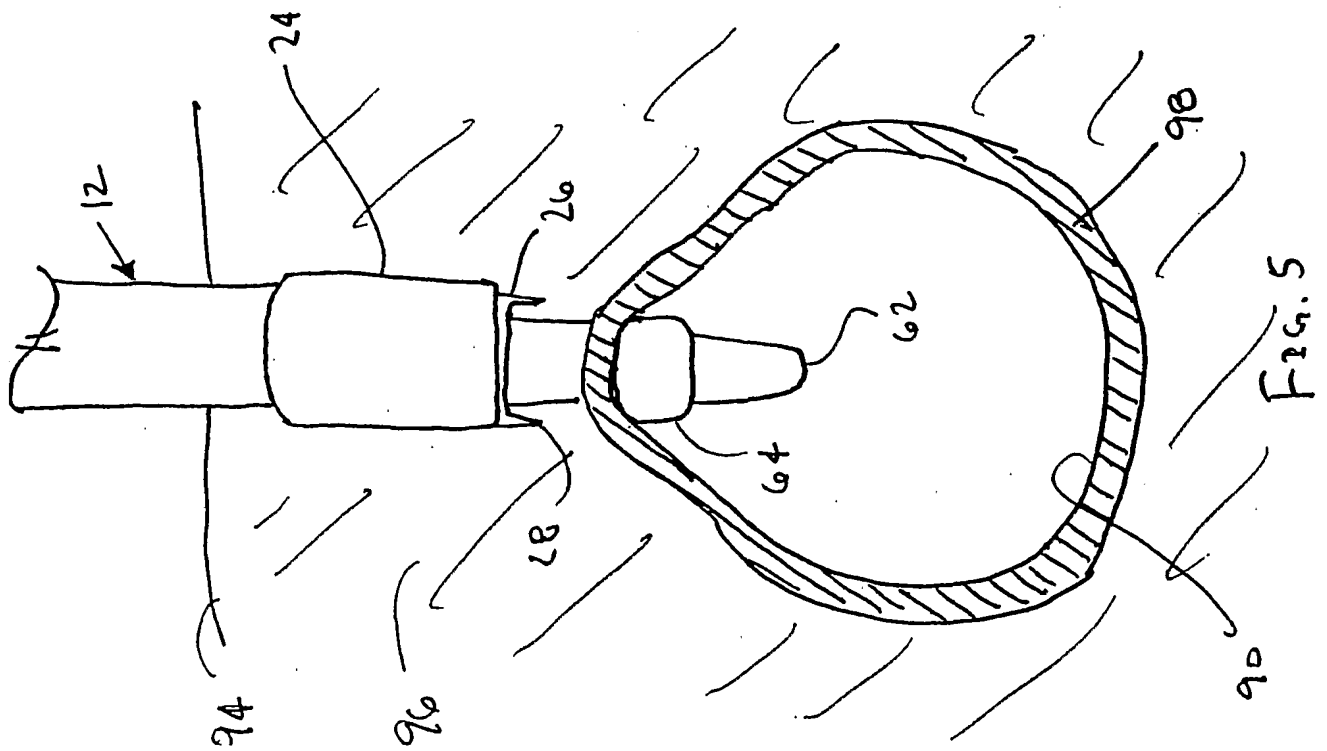


FIG. 1









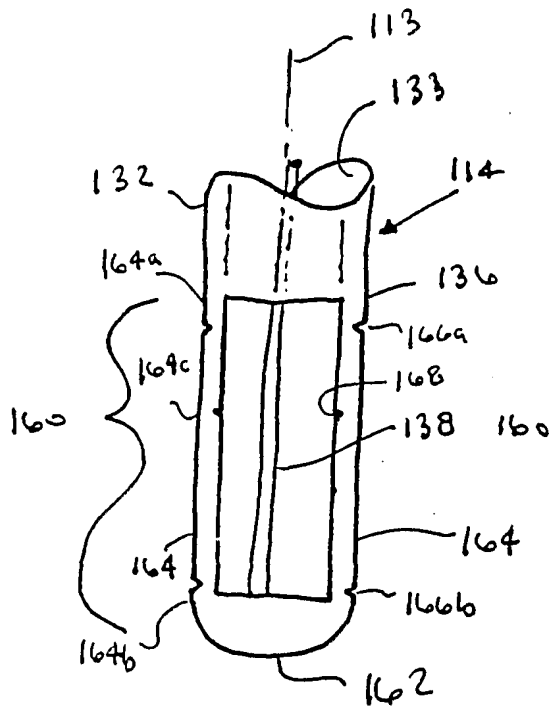


FIG. 7A

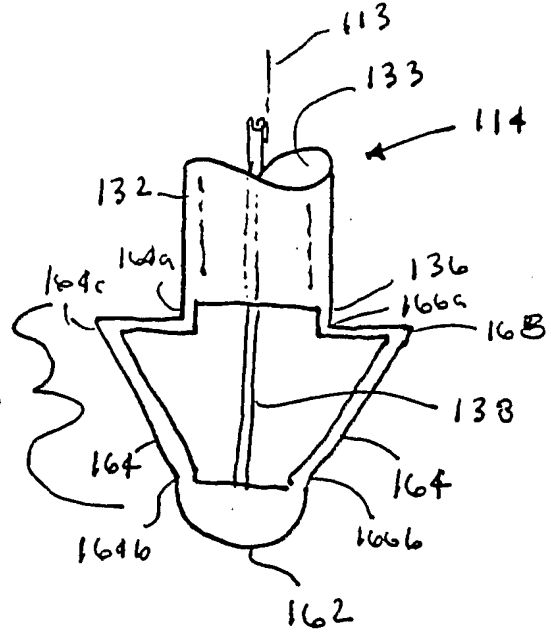


FIG. 7B

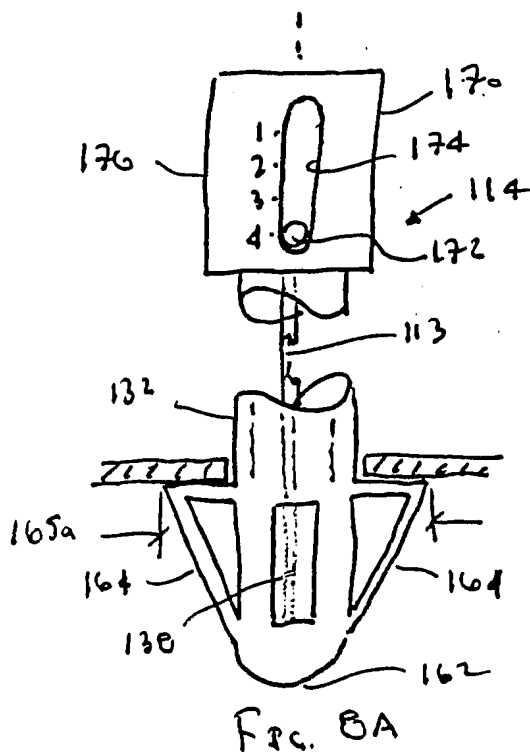


FIG. 8A

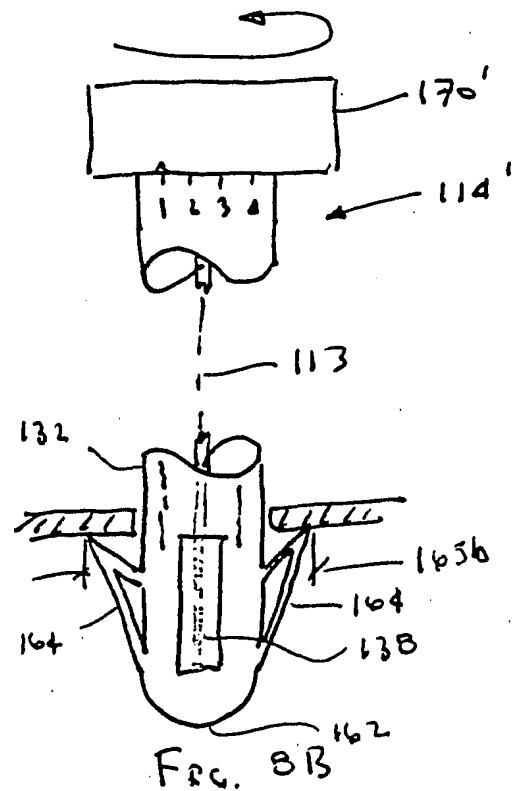


FIG. 8B

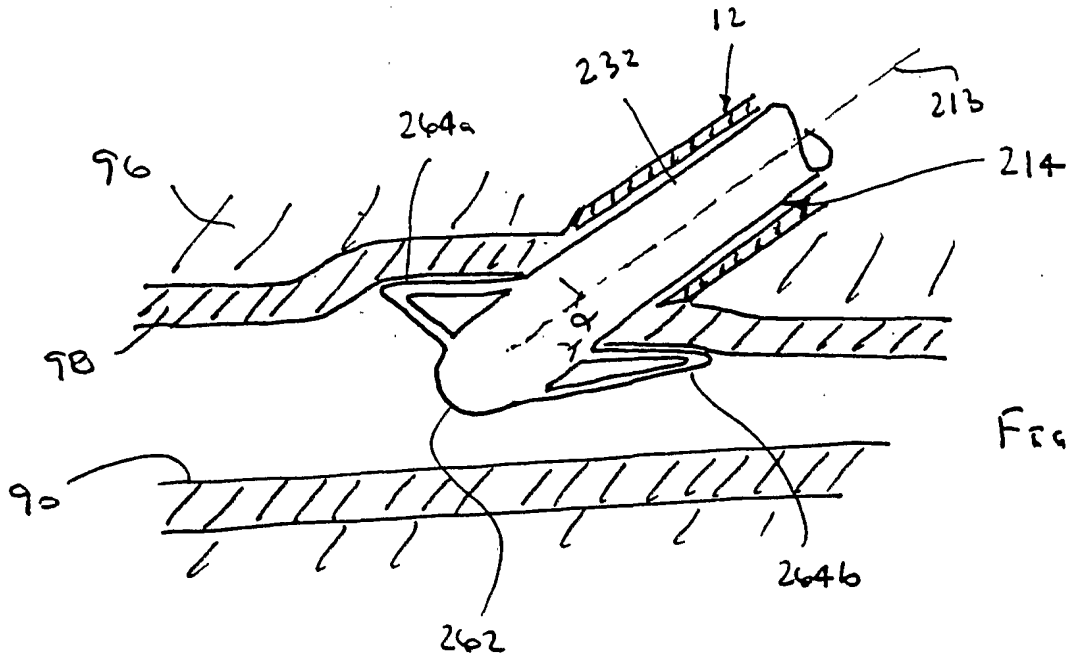


FIG. 9

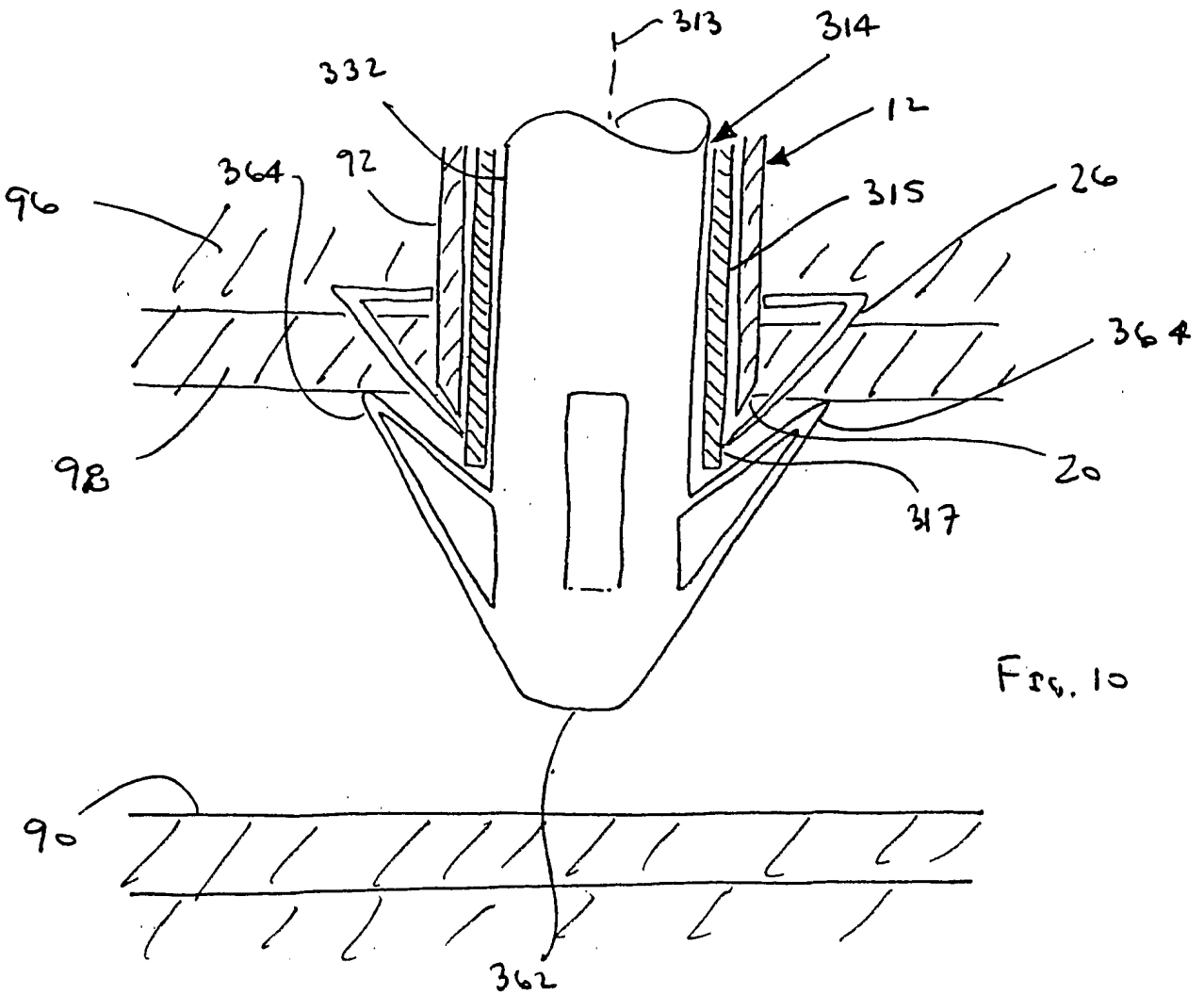
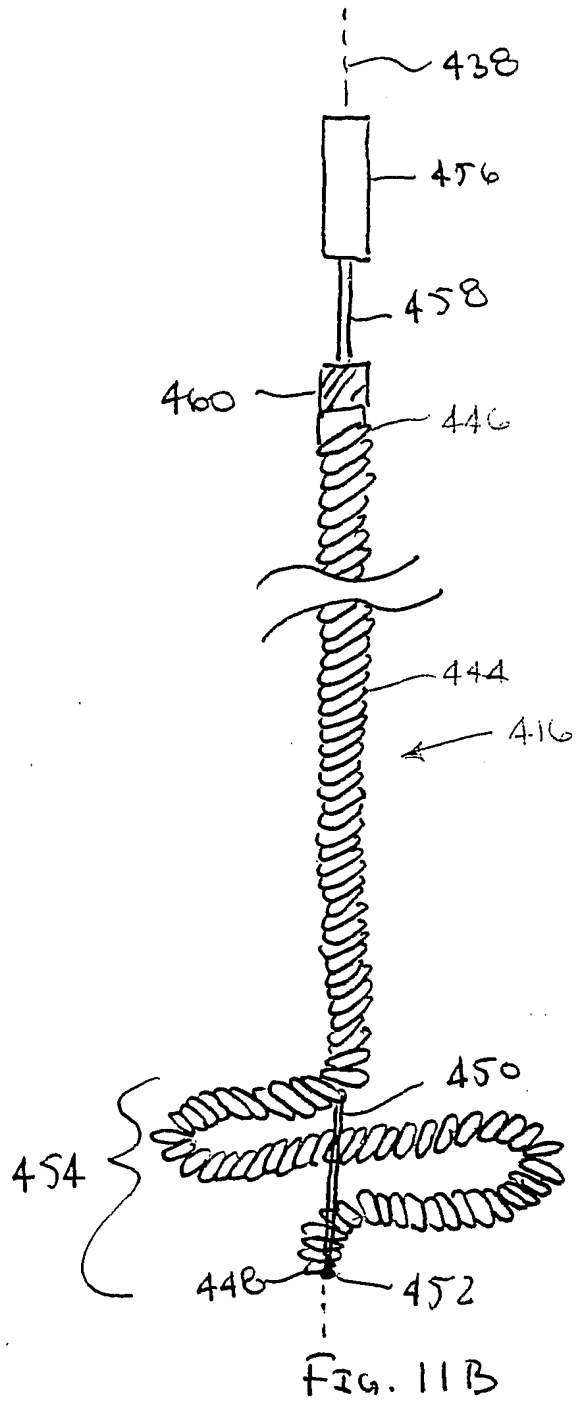
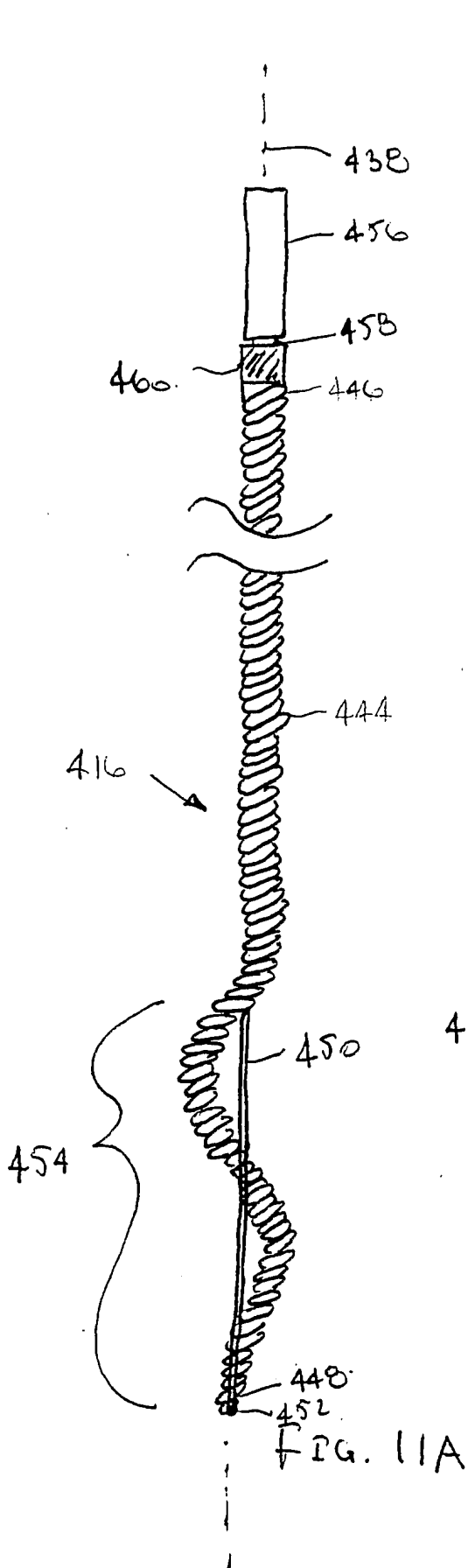
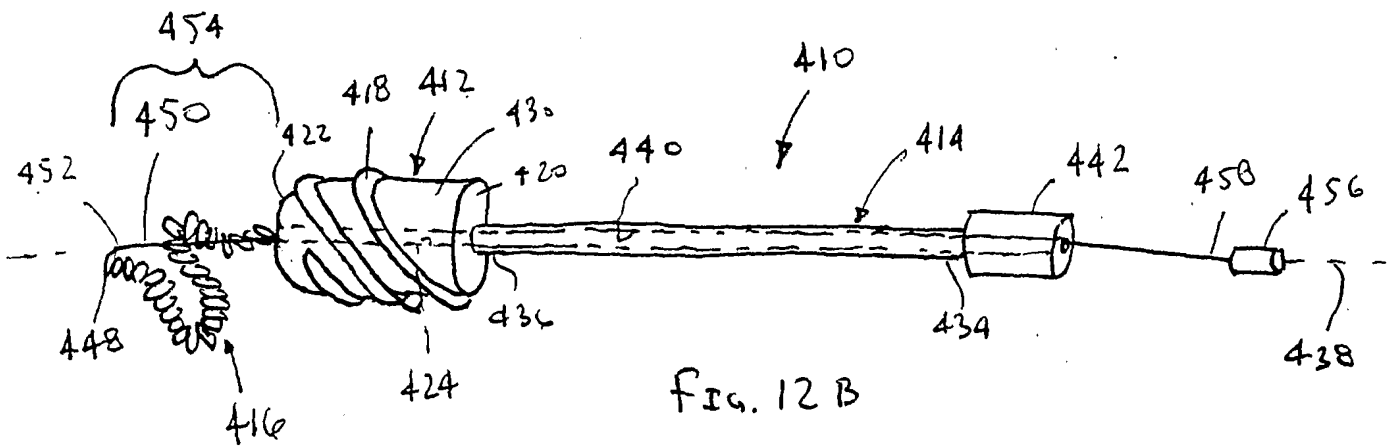
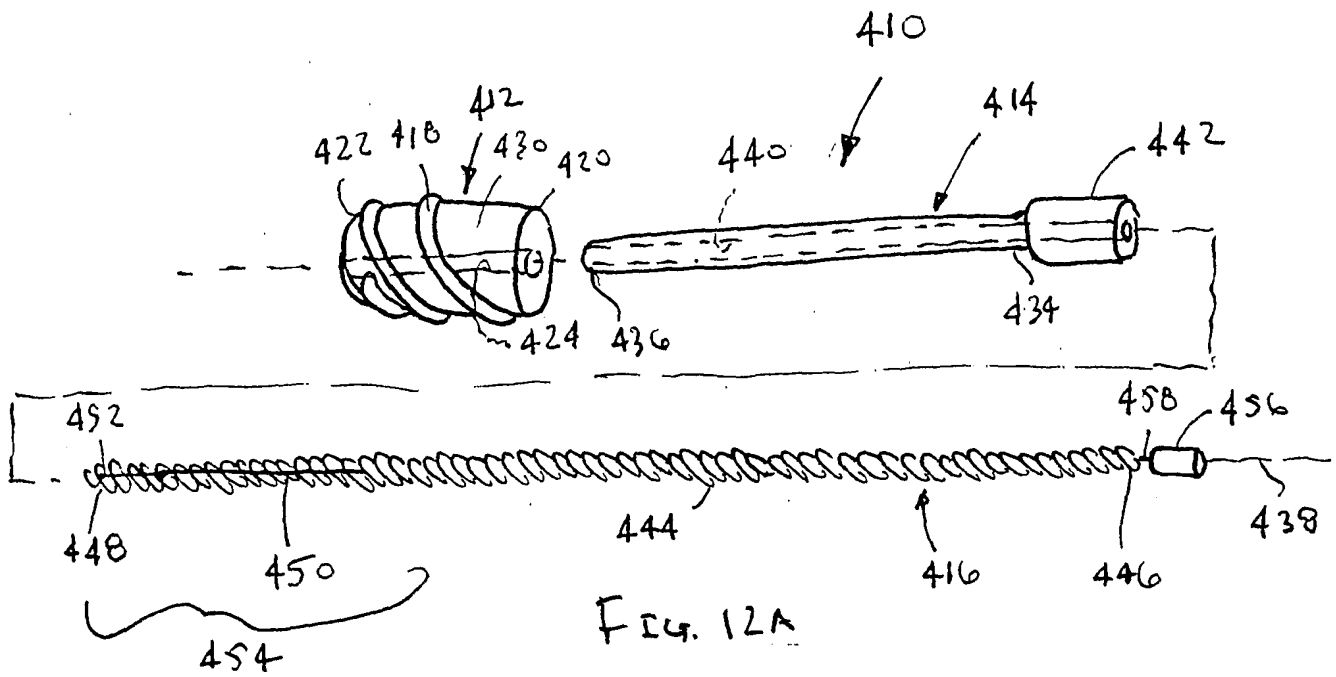


FIG. 10







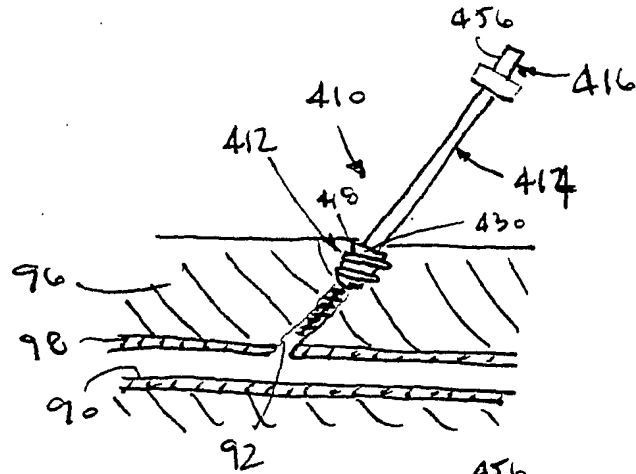


FIG. 13A

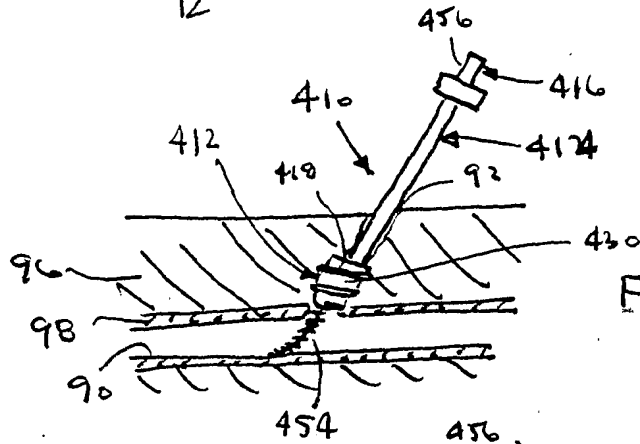


FIG. 13B

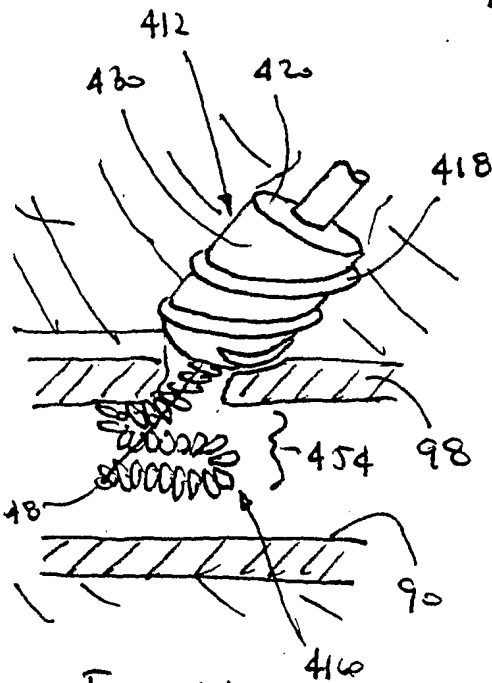


FIG. 14

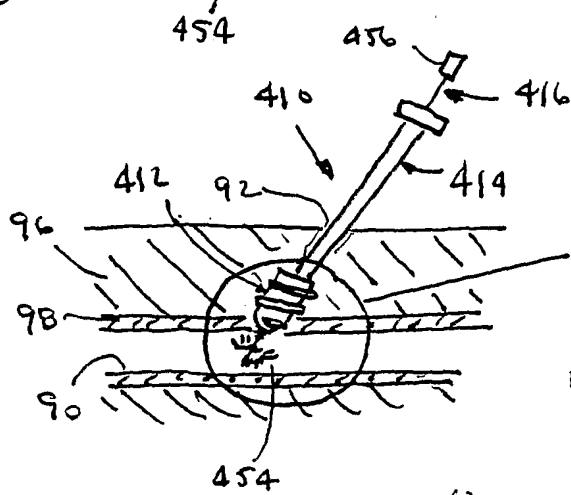


FIG. 13C

SEE FIG. 14

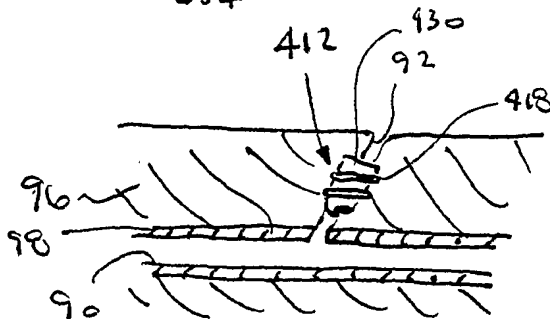


FIG. 13D

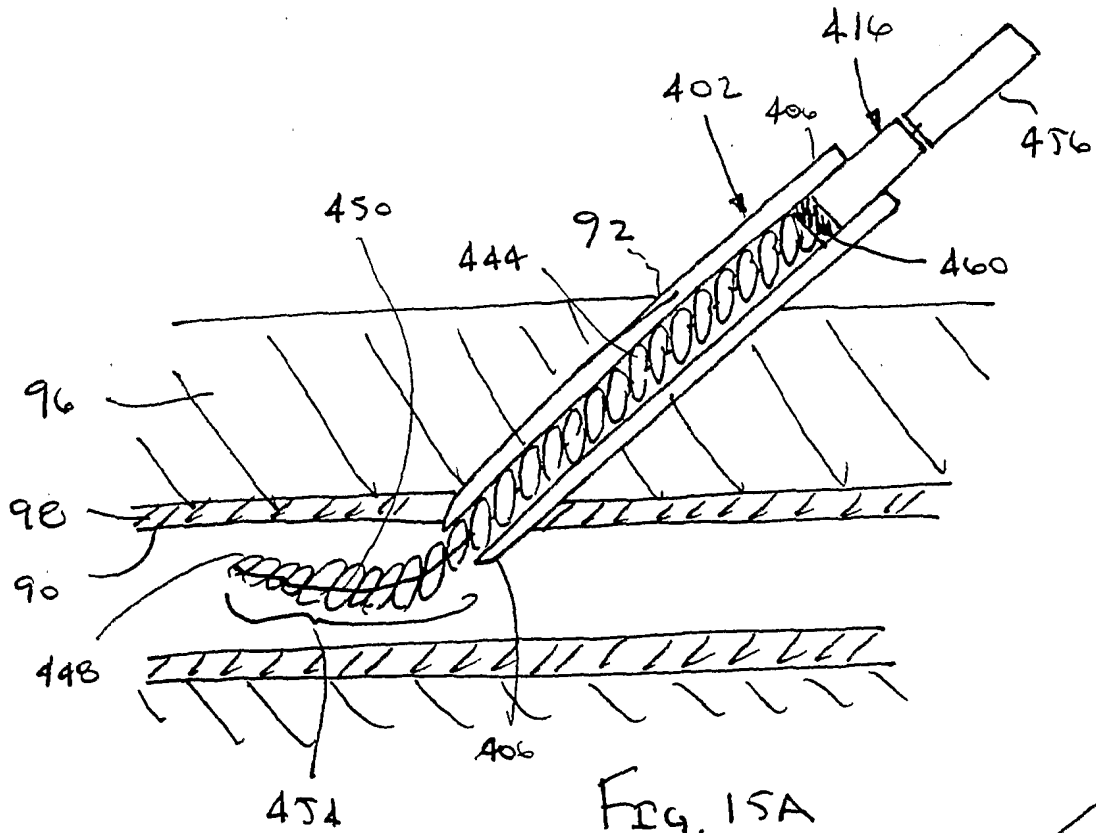


FIG. 15A

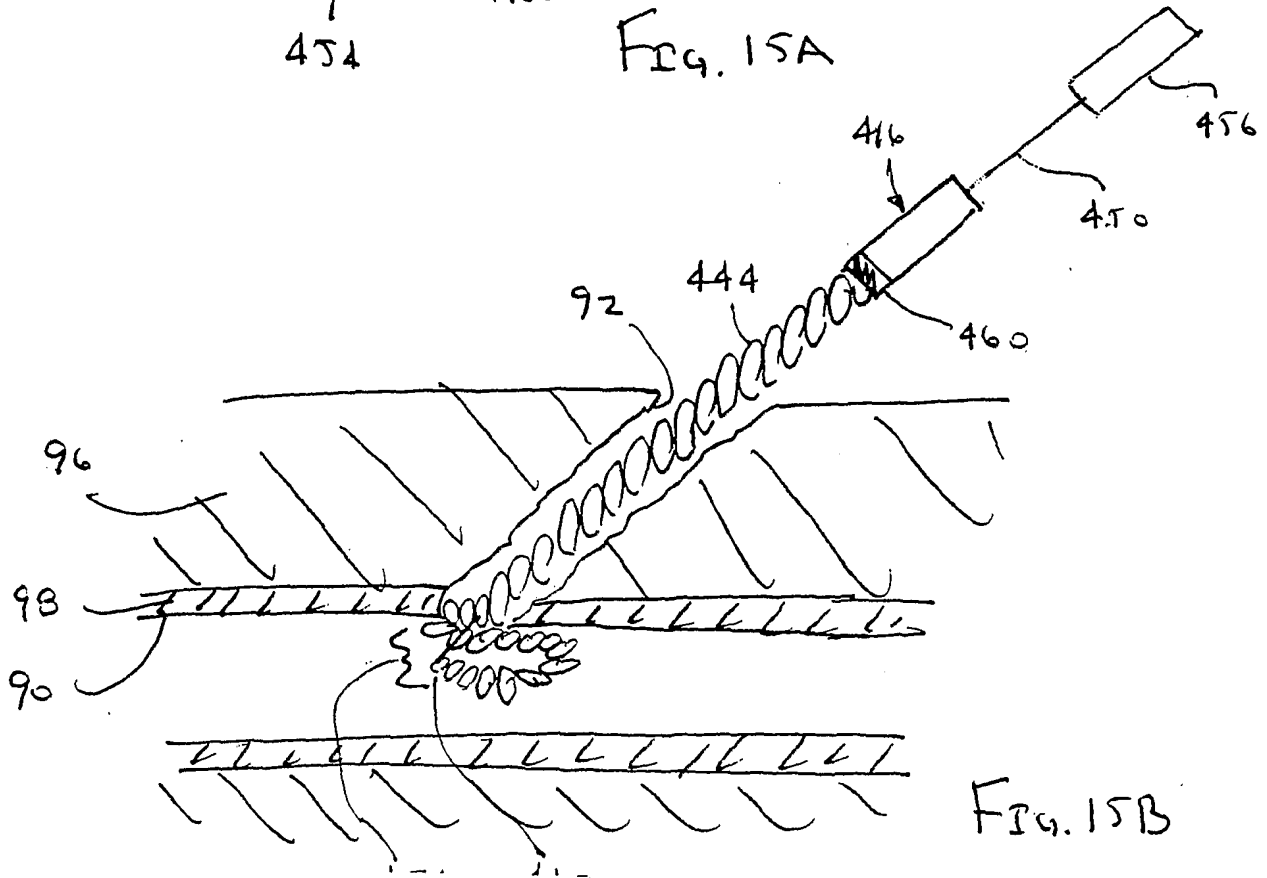


FIG. 15B

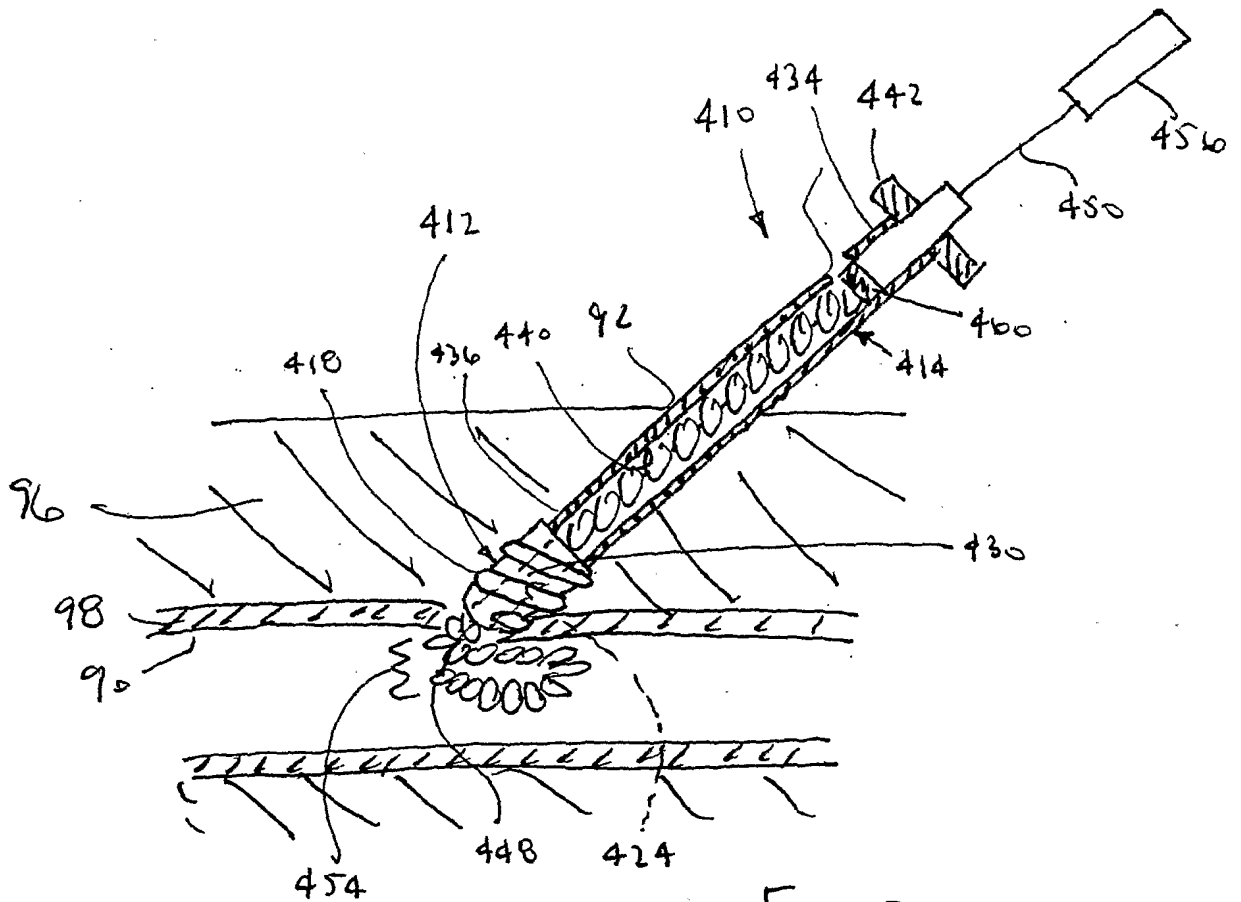


FIG. 15C

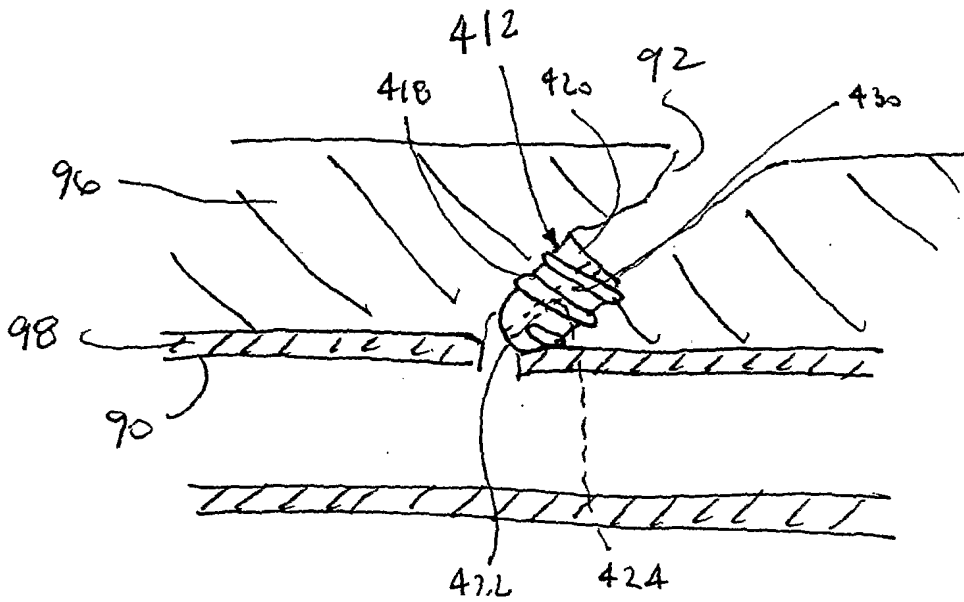


FIG. 15D